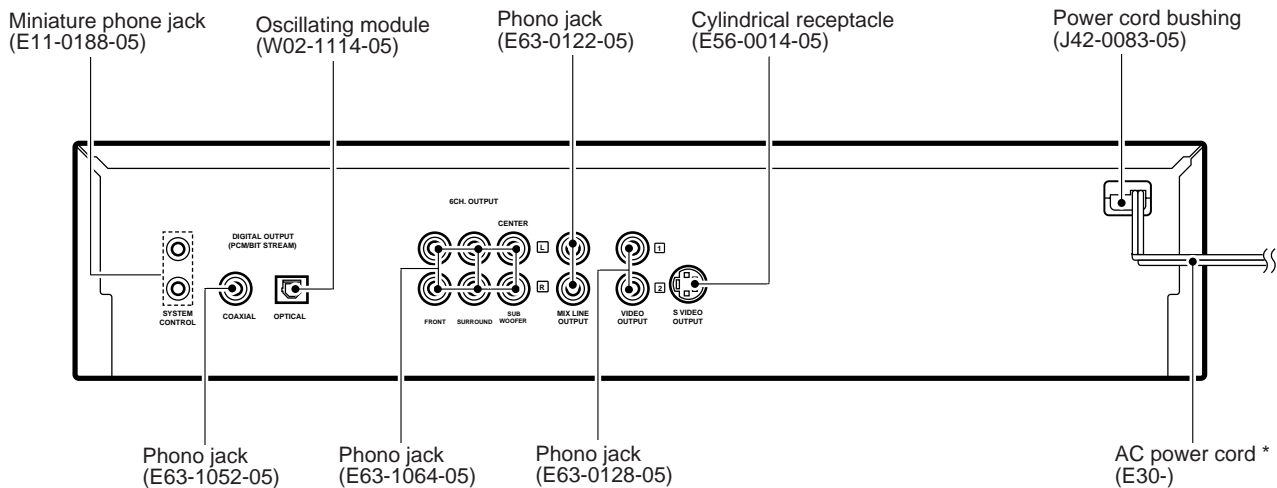
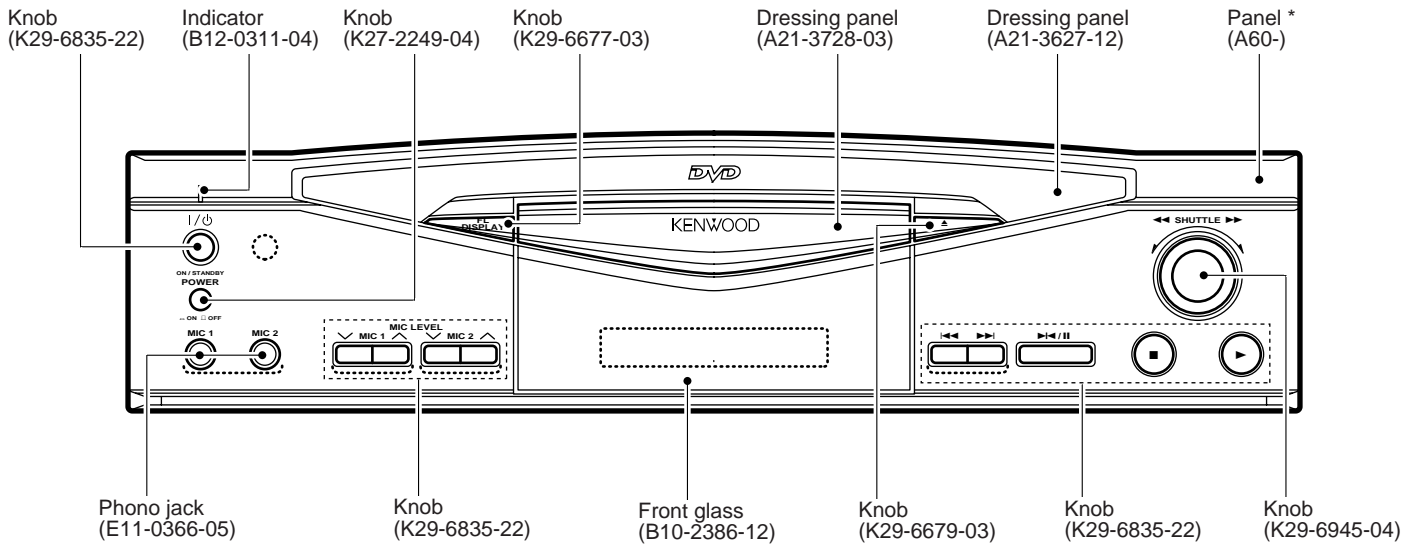


DV-K751/S701

SERVICE MANUAL



Illust. is DV-K751.

* Refer to parts list on page 33.

In compliance with Federal Regulations, following are reproductions of labels on, or inside the product relating to laser product safety.

KENWOOD-Crop. certifies this equipment conforms to DHHS Regulations No. 21 DFR 1040. 10, Chapter 1, Subchapter J.

DANGER : Laser radiation when open and interlock defeated. AVOID DIRECT EXPOSURE TO BEAM

Caution : No connection of ground line if disassemble the unit. Please connect the ground line on rear panel, PCBs, Chassis and some others.

NOTE : Please replace the mechanism PCB (W02-266x-05) with new one, if it is malfunction.



DV-K751/S701

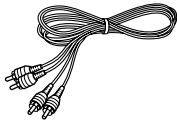
CONTENTS / ACCESSORIES

Contents

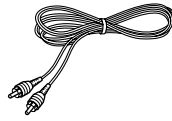
CONTENTS / ACCESSORIES	2	PARTS DESCRIPTIONS	12
CAUTIONS	3	PC BOARD	13
CONTROLS	4	SCHEMATIC DIAGRAM	17
BLOCK DIAGRAM	8	EXPLODED VIEW	30
CIRCUIT DESCRIPTION	9	PARTS LIST	33
ADJUSTMENT	10	SPECIFICATIONS	43

Accessories

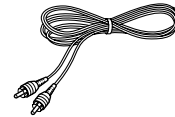
Audio cord (Red, White) (3)
(E30-0505-05)



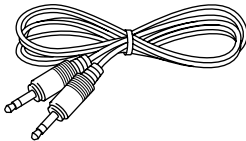
Video cord (Yellow) (1)
(E30-1427-05)



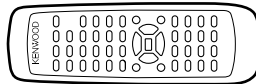
Digital cord (Orange) (1)
(E30-2365-05)



System control cord (1)
(E30-2733-05)

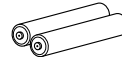


Remote control unit (1)
(A70-1231-05): RC-D0703: M2T1E1
(A70-1243-05): RC-D0704: K
(A70-1244-05): RC-D0706: M1C1

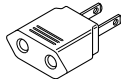


Battery cover (A09-1105-05)

Batteries (R6/AA) (2)



AC plug adaptor (1)
(E03-0115-05)



Use to adapt the plug on the power cord to the shape of the wall outlet.
(Accessory only for regions where use is necessary.)

CAUTIONS

WITH ON/STANDBY KEY

Note related to transportation and movement

Before transporting or moving this unit, be sure to remove any disc from it and carry out the following operation.

1. Press the POWER key to the ON position.
2. Press the ON/STANDBY (I / ⏻) key to ON.
3. Wait a few seconds and verify that the display shown appears.
4. Set the POWER key to OFF.



NO DISC

Operation to reset

The microprocessor may fall into malfunction (impossibility to operate erroneous display, etc.) when the power cord is unplugged while power is ON or due to an external factor. In this case, execute the following procedure to reset the microprocessor and return it to normal condition.

- Please note that resetting the microprocessor clears the contents stored in, it returns the microprocessor to the condition when it left the factory.

Perform the following operation.

- ① Press the POWER key to the ON position.
- ② Press the ON/STANDBY (I / ⏻) key to ON.
- ③ Wait for a few seconds to ensure that the display shows "NO DISC".
- ④ While holding the ■ key, press and hold the ON/STANDBY (I / ⏻) key until "INITIAL OK!" appears.

WITH REMOTE POWER KEY

Note related to transportation and movement

Before transporting or moving this unit, be sure to remove any disc from it and carry out the following operation.

1. Press the MAIN POWER key to the ON position.
2. Press the REMOTE POWER key to ON.
3. Wait a few seconds and verify that the display shown appears.
4. Set the MAIN POWER key to OFF.



NO DISC

Operation to reset

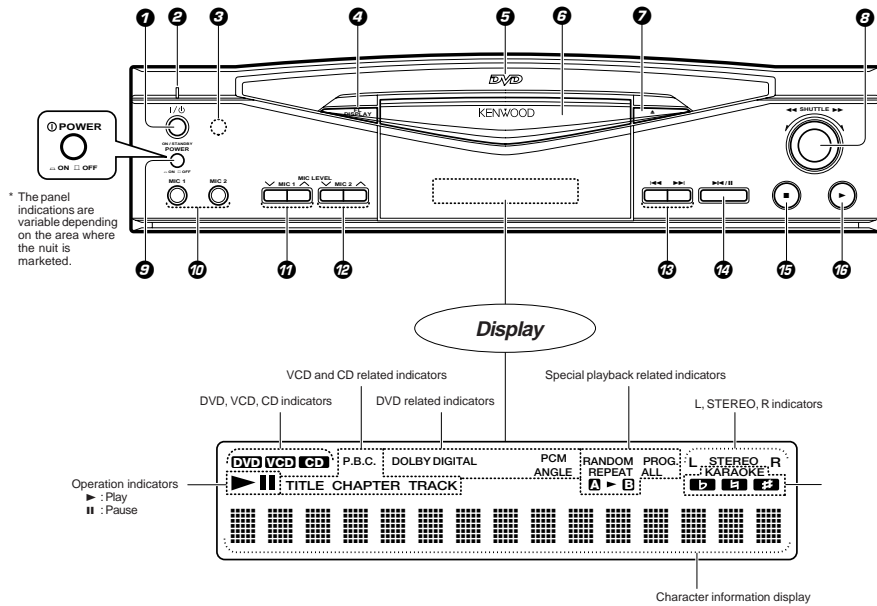
The microprocessor may fall into malfunction (impossibility to operate erroneous display, etc.) when the power cord is unplugged while power is ON or due to an external factor. In this case, execute the following procedure to reset the microprocessor and return it to normal condition.

- Please note that resetting the microprocessor clears the contents stored in, it returns the microprocessor to the condition when it left the factory.

Perform the following operation.

- ① Press the MAIN POWER key to the ON position.
- ② Press the REMOTE POWER key to ON.
- ③ Wait for a few seconds to ensure that the display shows "NO DISC".
- ④ While holding the ■ key, press and hold the REMOTE POWER key until "INITIAL OK!" appears.

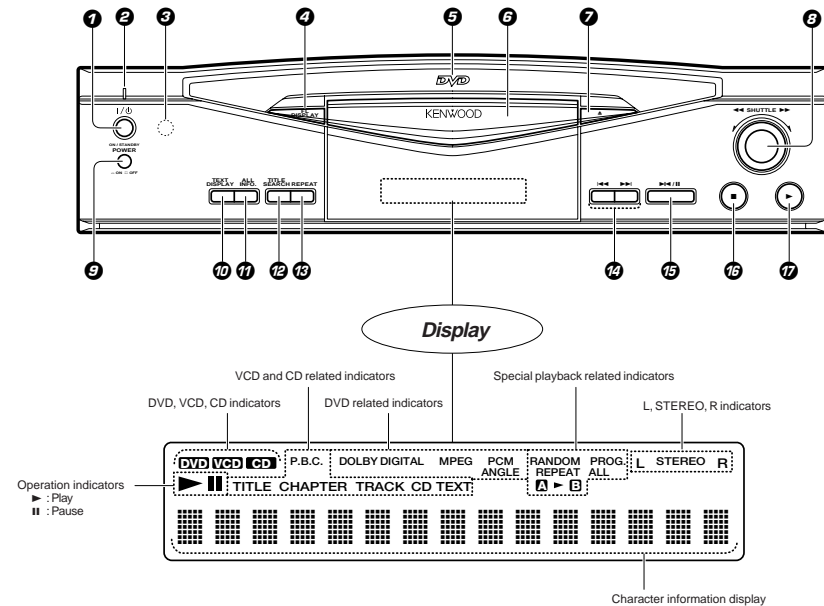
Display / Main unit (DV-K751)



- ① ON/STANDBY (I/⏻) key
Press to turn power of the unit from on to standby or vice versa.
- ② Standby indicator
- ③ Remote control sensor
- ④ FL DISPLAY key
- ⑤ DVD indicator
Lights when a DVD disc is played.
- ⑥ Disc tray
- ⑦ Open/Close (⏏) key
- ⑧ SHUTTLE (⏮, ⏭) keys
- ⑨ POWER (⏻ POWER) key
Press to turn the power of the unit between the standby and off modes.

- ⑩ MIC 1 and MIC 2 jacks
- ⑪ MIC 1 level
up : ⏶
down : ⏷
- ⑫ MIC 2 level
up : ⏶
down : ⏷
- ⑬ Skip down (⏮) / up (⏭) keys
- ⑭ Still/Pause (⏮/⏭) key
- ⑮ Stop (■) key
- ⑯ Play (▶) key

Display / Main unit (DV-S701)



- ① ON/STANDBY (I/⏻) key
Press to turn power of the unit from on to standby or vice versa.
- ② Standby indicator
- ③ Remote control sensor
- ④ FL DISPLAY key
- ⑤ DVD indicator
Lights when a DVD disc is played.
- ⑥ Disc tray
- ⑦ Open/Close (⏏) key
- ⑧ SHUTTLE (⏮, ⏭) keys
- ⑨ POWER key
Press to turn the power of the unit between the standby and off modes.

- ⑩ TEXT DISPLAY key
- ⑪ ALL INFO. key
- ⑫ TITLE SEARCH key
- ⑬ REPEAT key
- ⑭ Skip down (⏮) / up (⏭) keys
- ⑮ Still/Pause (⏮/⏭) key
- ⑯ Stop (■) key
- ⑰ Play (▶) key

About the standby mode

While the standby indicator is lit, a small amount of power is supplied to the system to back up the memory. This is called the standby mode. Under that condition, the system can be turned ON by the remote control unit.

About the standby mode

While the standby indicator is lit, a small amount of power is supplied to the system to back up the memory. This is called the standby mode. Under that condition, the system can be turned ON by the remote control unit.

Make connection as shown below. When connecting the related system components, refer also to the instruction manuals of the related components.

⚠ Caution: Do not plug in the power lead until all connections are completed.

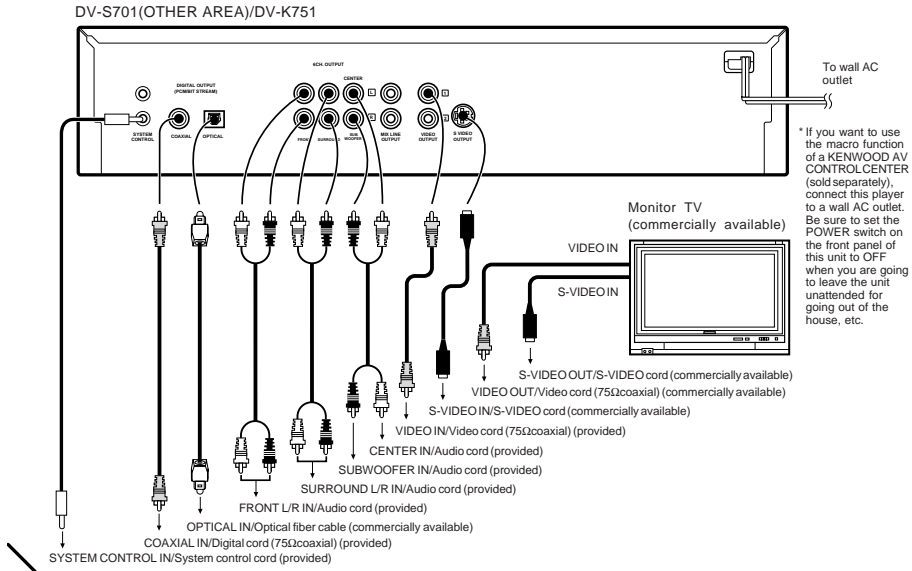
The VIDEO OUTPUT jacks should be connected directly to the TV. Do not connect them to the TV via a VCR. Otherwise the played video may be disturbed due to the copy protection function.

Initial setup

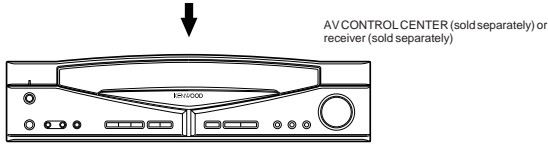
Set initial setup [6. TV Aspect] according to the aspect ratio (4:3 or 16:9) of your TV.

Make connection as shown below. When connecting the related system components, refer also to the instruction manuals of the related components.

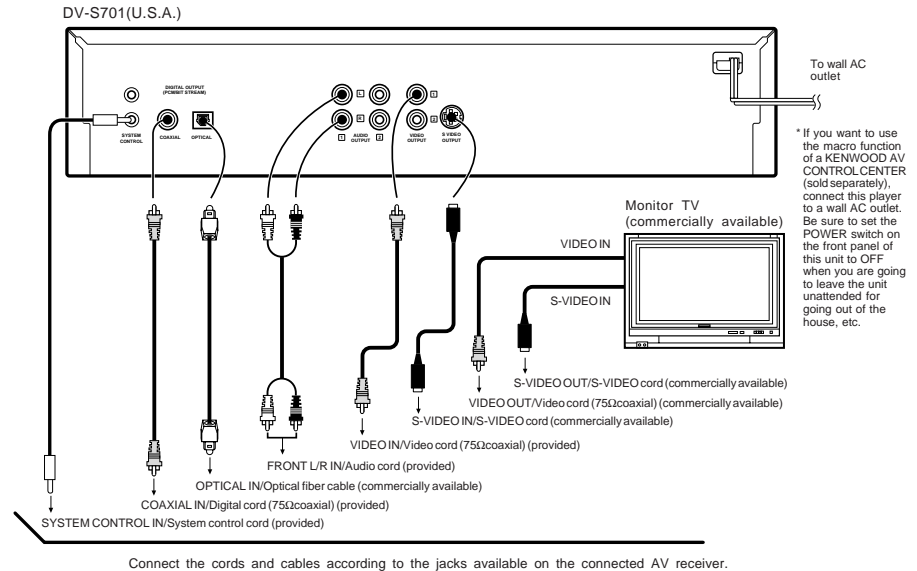
⚠ Caution: Do not plug in the power lead until all connections are completed.



Connect the cords and cables according to the jacks available on the connected AV receiver.



Stereo system (commercially available)
* The connected components shown here are typical examples.



Connect the cords and cables according to the jacks available on the connected AV receiver.

CONNECTIONS

DV-K751/S701



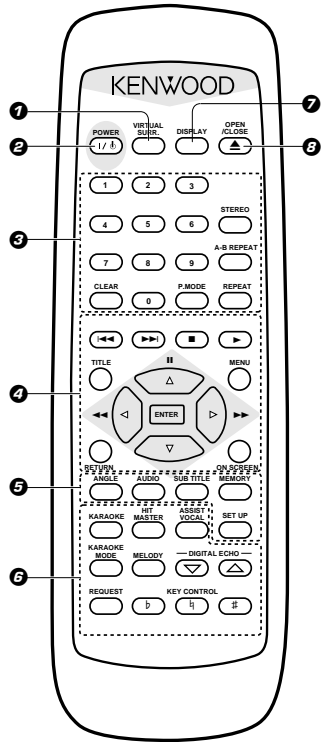
1. Connect all cords firmly. If connections are loose, there could be loss of sound or noise produced.
2. When plugging and unplugging connection cords, be sure to first remove the power cord from the AC outlet. Plugging/unplugging connection cords without removal of the power cord can cause malfunctions or damage to the unit.



1. Connect all cords firmly. If connections are loose, there could be loss of sound or noise produced.
2. When plugging and unplugging connection cords, be sure to first remove the power cord from the AC outlet. Plugging/unplugging connection cords without removal of the power cord can cause malfunctions or damage to the unit.

Remote control unit (DV-K751)

The remote control unit incorporates the basic operation keys as well as a variety of applied operation keys so that it can be used in a wide range of purposes.
Use care to store the remote control unit in a safe place so as not to lose it.

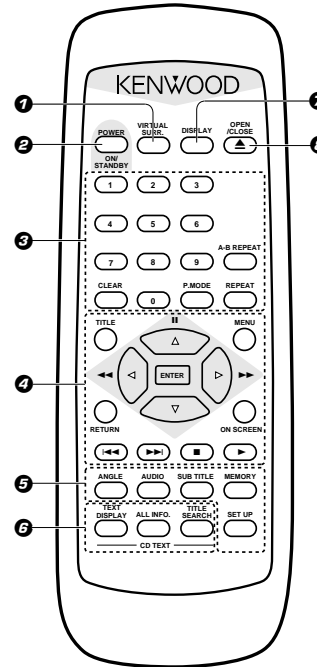


Model: RC-D0706
Infrared ray system

- 1 VIRTUAL SURR. key
- 2 POWER (I/O) key
- 3 CD, VCD and DVD related control keys
Numeric (0 to 9) keys
CLEAR key
P.MODE key
A-B REPEAT key
REPEAT key
STEREO key
- 4 CD, VCD and DVD related control keys
Skip down (◀◀) and Skip up (▶▶) keys
Stop (■) key
Play (▶) key
Cursor (Δ, ∇, ◀, ▶) keys
ENTER key
Pause (||) key
Forward and reverse search (◀◀, ▶▶) keys
TITLE key
MENU key
RETURN key
ON SCREEN key
- 5 TV monitor related control keys
ANGLE key
AUDIO key
SUB TITLE key
MEMORY key
SET UP key
- 6 Karaoke-related control keys
KARAOKE key
HIT MASTER key
ASSIST VOCAL key
KARAOKE MODE key
MELODY key
DIGITAL ECHO (∇:Down/Δ:Up) keys
REQUEST key
Flat (b) key
Natural (h) key
Sharp (#) key
- 7 DISPLAY key
- 8 OPEN/CLOSE (▲) key

Remote control unit (DV-S701 U.S.A.)

The remote control unit incorporates the basic operation keys as well as a variety of applied operation keys so that it can be used in a wide range of purposes.
Use care to store the remote control unit in a safe place so as not to lose it.

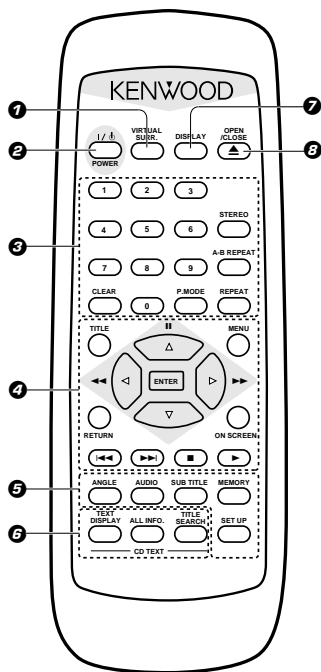


Model: RC-D0704
Infrared ray system

- 1 VIRTUAL SURR. key
- 2 POWER (ON/STANDBY) key
- 3 CD, VCD and DVD related control keys
Numeric (0 to 9) keys
CLEAR key
P.MODE key
A-B REPEAT key
REPEAT key
- 4 CD, VCD and DVD related control keys
Cursor (Δ, ∇, ◀, ▶) keys
ENTER key
Pause (||) key
Forward and reverse search (◀◀, ▶▶) keys
TITLE key
MENU key
RETURN key
ON SCREEN key
Skip down (◀◀) and Skip up (▶▶) keys
Stop (■) key
Play (▶) key
- 5 TV monitor related control keys
ANGLE key
AUDIO key
SUB TITLE key
MEMORY key
SET UP key
- 6 CD-TEXT related control keys
TEXT DISPLAY key
ALL INFO. key
TITLE SEARCH key
- 7 DISPLAY key
- 8 OPEN/CLOSE (▲) key

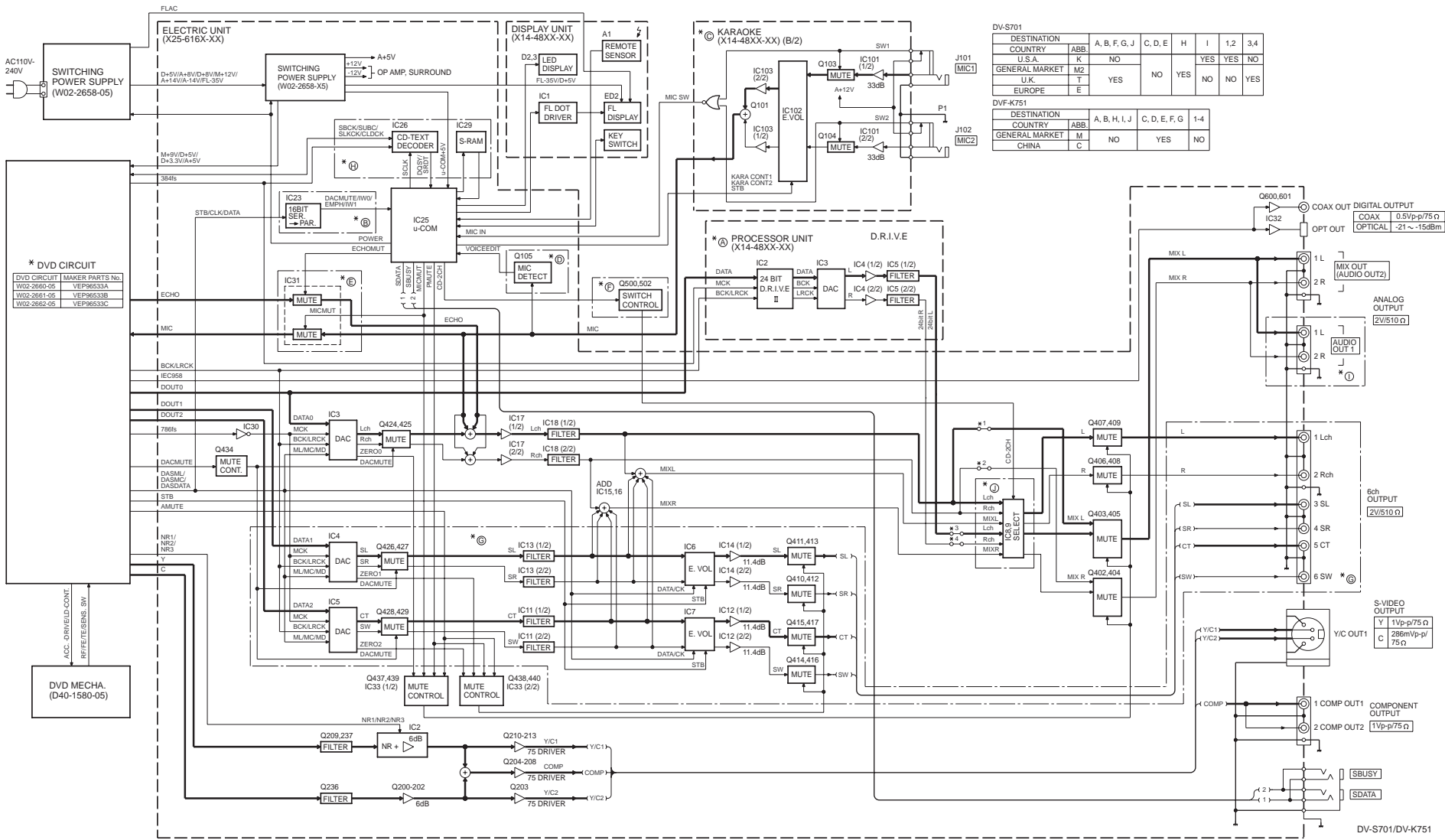
Remote control unit (DV-S701 OTHER AREA)

The remote control unit incorporates the basic operation keys as well as a variety of applied operation keys so that it can be used in a wide range of purposes.
Use care to store the remote control unit in a safe place so as not to lose it.



Model: RC-D0703
Infrared ray system

- ① VIRTUAL SURR. key
- ② POWER (I/⏻) key
- ③ CD, VCD and DVD related control keys
Numeric (0 to 9) keys
CLEAR key
P.MODE key
A-B REPEAT key
REPEAT key
STEREO key
- ④ CD, VCD and DVD related control keys
Cursor (Δ, ▽, ◀, ▶) keys
ENTER key
Pause (⏸) key
Forward and reverse search (◀◀, ▶▶) keys
TITLE key
MENU key
RETURN key
ON SCREEN key
Skip down (◀◀) and Skip up (▶▶) keys
Stop (■) key
Play (▶) key
- ⑤ TV monitor related control keys
ANGLE key
AUDIO key
SUB TITLE key
MEMORY key
SET UP key
- ⑥ CD-TEXT related control keys
TEXT DISPLAY key
ALL INFO. key
TITLE SEARCH key
- ⑦ DISPLAY key
- ⑧ OPEN/CLOSE (⏏) key



DV-S701

DESTINATION	ABB	A, B, F, G, J	C, D, E	H	I	1, 2	3, 4
COUNTRY	ABB						
U.S.A.	K	NO			YES	YES	NO
GENERAL MARKET	M2						
U.K.	T		NO	YES	NO	NO	YES
EUROPE	E	YES					

DVF-K751

DESTINATION	ABB	A, B, H, I, J	C, D, E, F, G	1-4			
COUNTRY	ABB						
U.S.A.	K	NO	YES	NO			
GENERAL MARKET	M						
U.K.	T						
EUROPE	E	YES					
CHINA	C						

BLOCK DIAGRAM

DV-K751/S701

DV-K751/S701

CIRCUIT DESCRIPTION

Voltage matrix of microprocessor

PORT#32		PORT#33		PORT#34	PORT#35
VOLTAGE	DV-K751/S701	DV-K751	DV-S701	DV-K751/S701	MODEL NAME
5V					
	-	-	-	-	DV-K751
4.58V					
	→(PLAY)	MIC-1 DOWN	TEXT DISPLAY (CD-TEXT)	-	DVF-9010
3.75V					
	■(STOP)	MIC-1 UP	ALL INFO. (CD-TEXT)	-	DV-2070
2.92V					
	(STILL/PAUSE)	MIC-2 DOWN	TITLE SERCH (CD-TEXT)	-	DVF-K7010
2.08V					
	(FWD SKIP)	MIC-2 UP	REPEAT	-	DVF5010
1.25V					
	(BWD SKIP)	FL DISPLAY	FL DISPLAY	-	DV-203
0.42V					
	OPEN/CLOSE	POWER	POWER	-	DV-S701
0V					

Note: Please refer to DVF-7010(B51-5456-00) service manual if need the information of microprocessor and the like.

DV-K751/S701

ADJUSTMENT

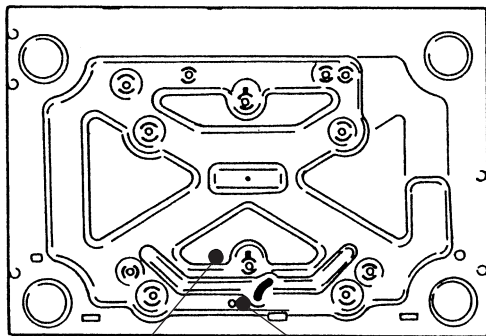
MECHANISM ADJUSTMENT PROCEDURE

No.	ITEM	INPUT SETTING	OUTPUT SETTING	PLAYER SETTING	ALIGNMENT POINT	ALIGN FOR	FIG.
< 1 >	TANGENTIAL	DV DISC	Connect an oscilloscope to TL5206 and chassis GND (DVD main unit : W02-266x-xx)	STILL	Tangential nut	Minimum DC level and flat wave.	(a)
< 2 >	TILT				Tilt nut		

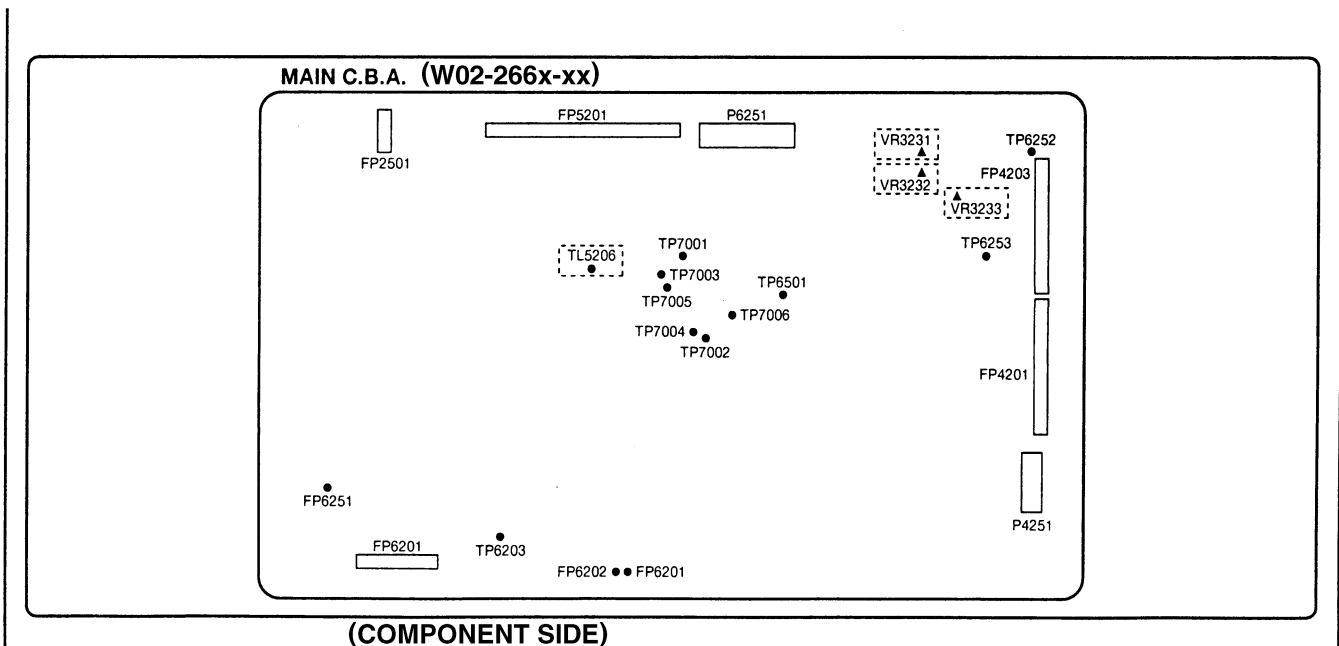
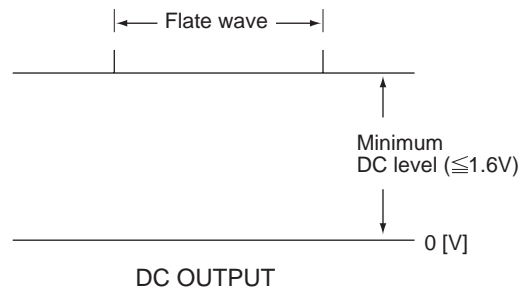
Note : Adjust to repeat No. < 1 > and < 2 > about 2~3 times by a hexagon driver on the bottom chassis of set, then complete No. < 2 >.

: After complete adjustment, confirm to play MD, CD and Video CD disc the correct.

(a)

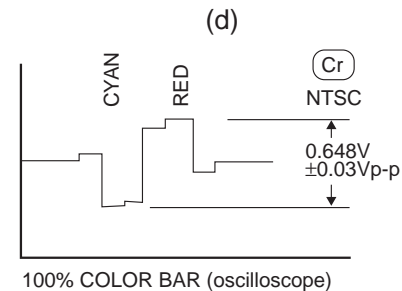
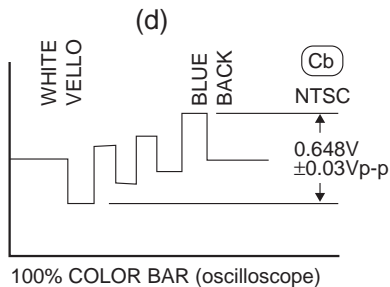
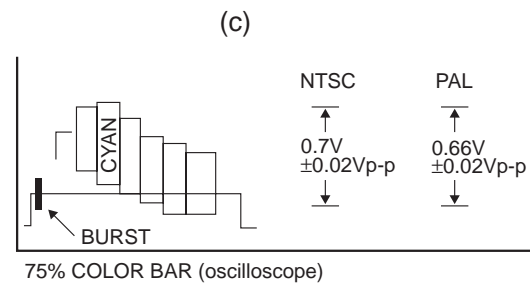
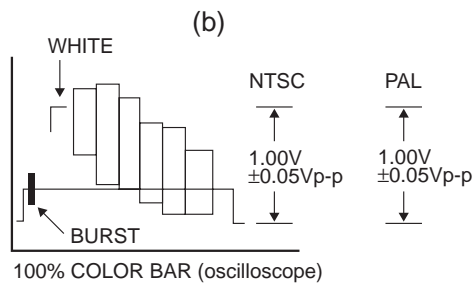


Tangential adjust FRONT Tilt adjust
(Bottom view)

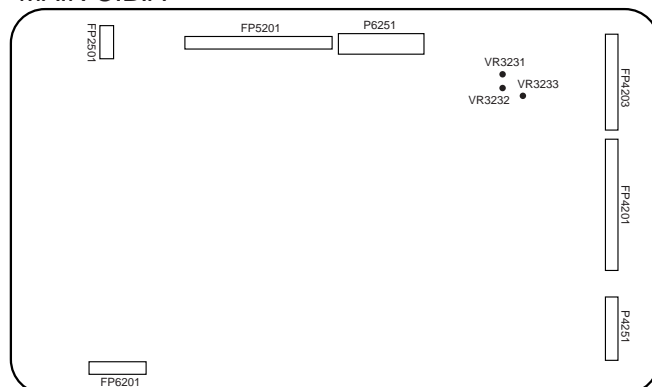


ADJUSTMENT

No.	ITEM	INPUT SETTING	OUTPUT SETTING	DVD SETTING	ALIGNMENT POINT	ALING FOR	FIG.
DVD DISC : 100% and 75% color bar OUTPUT : Video output (composite or component / RCA PIN)							
NTSC							
1	VIDEO LEVEL(Y)	DISC 100%COLOR BAR	Connect the TV monitor and the oscilloscope	STILL	VR3232 (MAIN CBA)	(WHITE) 1.00V $\pm 0.05V_{p-p}$	(b)
2	VIDEO LEVEL(C)	DISC 75%COLOR BAR	Connect the TV monitor and the oscilloscope	STILL	VR3233 (MAIN CBA)	(CYAN) 0.7V $\pm 0.02V_{p-p}$	(c)
3	VIDEO LEVEL (Cb) (Cr)	DISC 100%COLOR BAR	Connect the TV monitor and the oscilloscope	STILL	VR3231 (MAIN CBA)	(Cb) (Cr) 0.648V $\pm 0.03V_{p-p}$	(d)
PAL							
1	VIDEO LEVEL(Y)	DISC 100%COLOR BAR	Connect the TV monitor and the oscilloscope	STILL	VR3232 (MAIN CBA)	(WHITE) 1.00V $\pm 0.05V_{p-p}$	(b)
2	VIDEO LEVEL(C)	DISC 75%COLOR BAR	Connect the TV monitor and the oscilloscope	STILL	VR3233 (MAIN CBA)	(CYAN) 0.66V $\pm 0.02V_{p-p}$	(c)



MAIN C.B.A



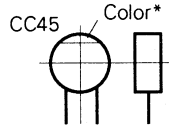
DV-K751/S701

PARTS DESCRIPTIONS

CAPACITORS

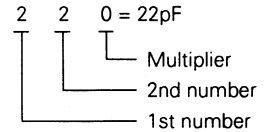
CC 45 TH 1H 220 J
 1 2 3 4 5 6

- 1 = Type ... ceramic, electrolytic, etc.
- 2 = Shape ... round, square, ect.
- 3 = Temp. coefficient
- 4 = Voltage rating
- 5 = Value
- 6 = Tolerance



Capacitor value

- 010 = 1pF
- 100 = 10pF
- 101 = 100pF
- 102 = 1000pF = 0.001μF
- 103 = 0.01μF



Temperature coefficient

1st Word	C	L	P	R	S	T	U
Color*	Black	Red	Orange	Yellow	Green	Blue	Violet
ppm/°C	0	-80	-150	-220	-330	-470	-750

2nd Word	G	H	J	K	L
ppm/°C	±30	±60	±120	±250	±500

Example : CC45TH = -470 ± 60ppm/°C

Tolerance (More than 10pF)

Code	C	D	G	J	K	M	X	Z	P	No code
(%)	±0.25	±0.5	±2	±5	±10	±20	+40 -20	+80 -20	+100 -0	More than 10μF -10 ~ +50 Less than 4.7μF -10 ~ +75

(Less than 10pF)

Code	B	C	D	F	G
(pF)	±0.1	±0.25	±0.5	±1	±2

Voltage rating

2nd word \ 1st word	A	B	C	D	E	F	G	H	J	K	V
0	1.0	1.25	1.6	2.0	2.5	3.15	4.0	5.0	6.3	8.0	-
1	10	12.5	16	20	25	31.5	40	50	63	80	35
2	100	125	160	200	250	315	400	500	630	800	-
3	1000	1250	1600	2000	2500	3150	4000	5000	6300	8000	-

Chip capacitors

(EX) C C 7 3 F S L 1 H 0 0 0 J
 1 2 3 4 5 6 7

(Chip) (CH, RH, UJ, SL)

(EX) C K 7 3 F F 1 H 0 0 0 Z
 1 2 3 4 5 6 7

(Chip) (B, F)

Refer to the table above.

- 1 = Type
- 2 = Shape
- 3 = Dimension
- 4 = Temp. coefficient
- 5 = Voltage rating
- 6 = Value
- 7 = Tolerance

Dimension (Chip capacitors)

Dimension code	L	W	T
Empty	5.6 ± 0.5	5.0 ± 0.5	Less than 2.0
A	4.5 ± 0.5	3.2 ± 0.4	Less than 2.0
B	4.5 ± 0.5	2.0 ± 0.3	Less than 2.0
C	4.5 ± 0.5	1.25 ± 0.2	Less than 1.25
D	3.2 ± 0.4	2.5 ± 0.3	Less than 1.5
E	3.2 ± 0.2	1.6 ± 0.2	Less than 1.25
F	2.0 ± 0.3	1.25 ± 0.2	Less than 1.25
G	1.6 ± 0.2	0.8 ± 0.2	Less than 1.0

RESISTORS

Chip resistor (Carbon)

(EX) R K 7 3 E B 2 B 0 0 0 J
 1 2 3 4 5 6 7

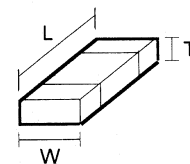
(Chip) (B, F)

Carbon resistor (Normal type)

(EX) R D 1 4 B B 2 C 0 0 0 J
 1 2 3 4 5 6 7

- 1 = Type
- 2 = Shape
- 3 = Dimension
- 4 = Temp. coefficient
- 5 = Rating wattage
- 6 = Value
- 7 = Tolerance

Dimension



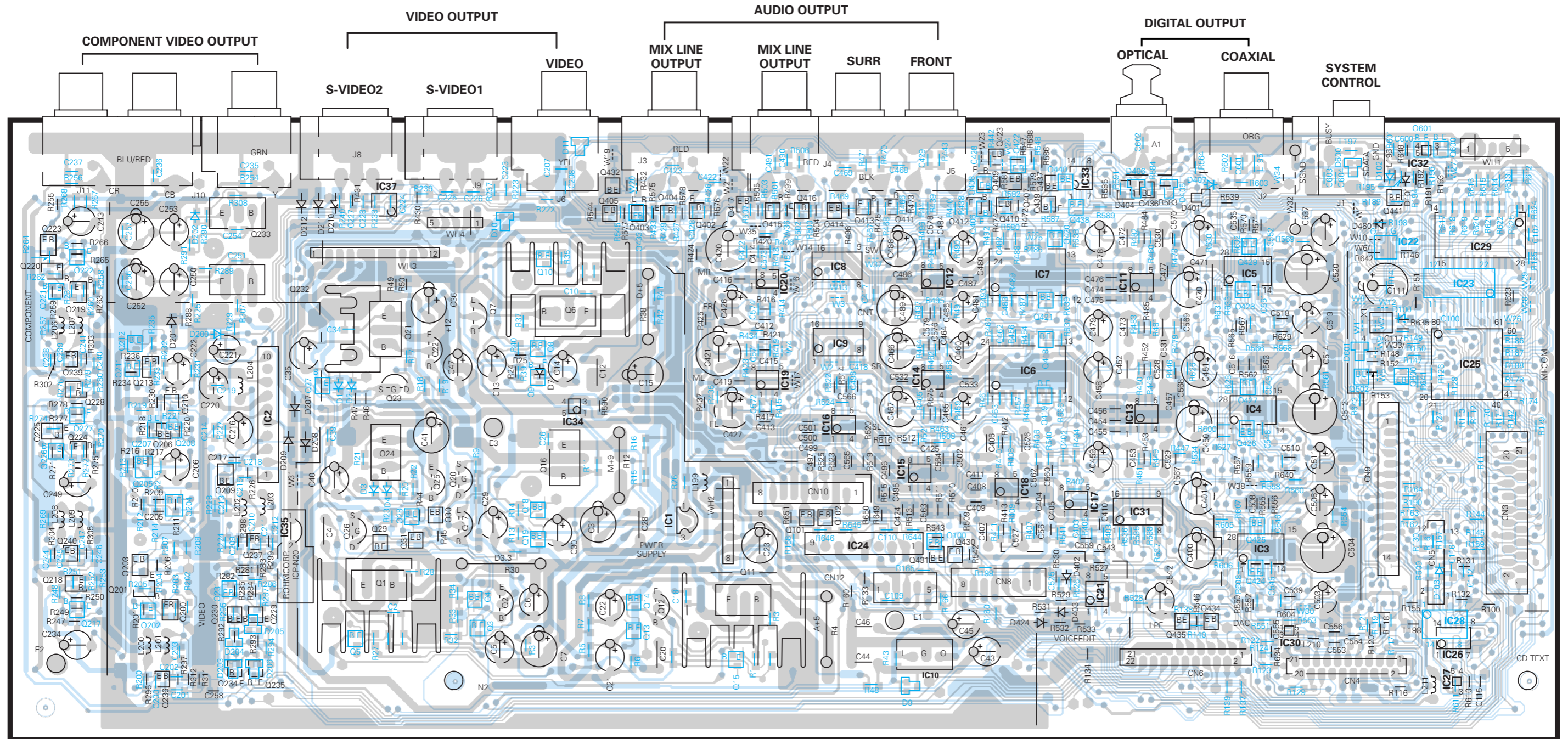
Dimension (Chip resistor)

Dimension code	L	W	T
E	3.2 ± 0.2	1.6 ± 0.2	1.0
F	2.0 ± 0.3	1.25 ± 0.2	1.0
G	1.6 ± 0.2	0.8 ± 0.2	0.5 ± 0.1

Rating wattage

Code	Wattage	Code	Wattage	Code	Wattage
1J	1/16W	2C	1/6W	3A	1W
2A	1/10W	2E	1/4W	3D	2W
2B	1/8W	2H	1/2W		

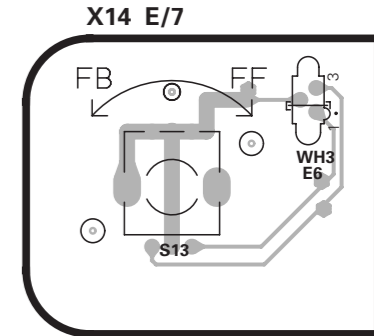
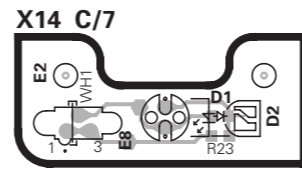
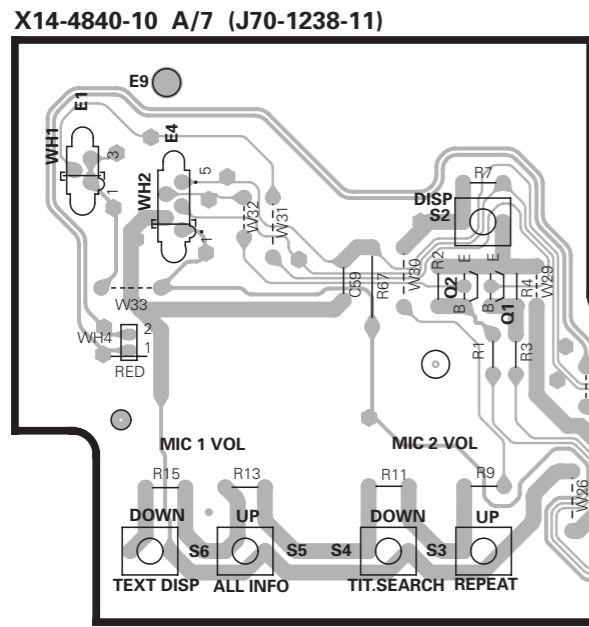
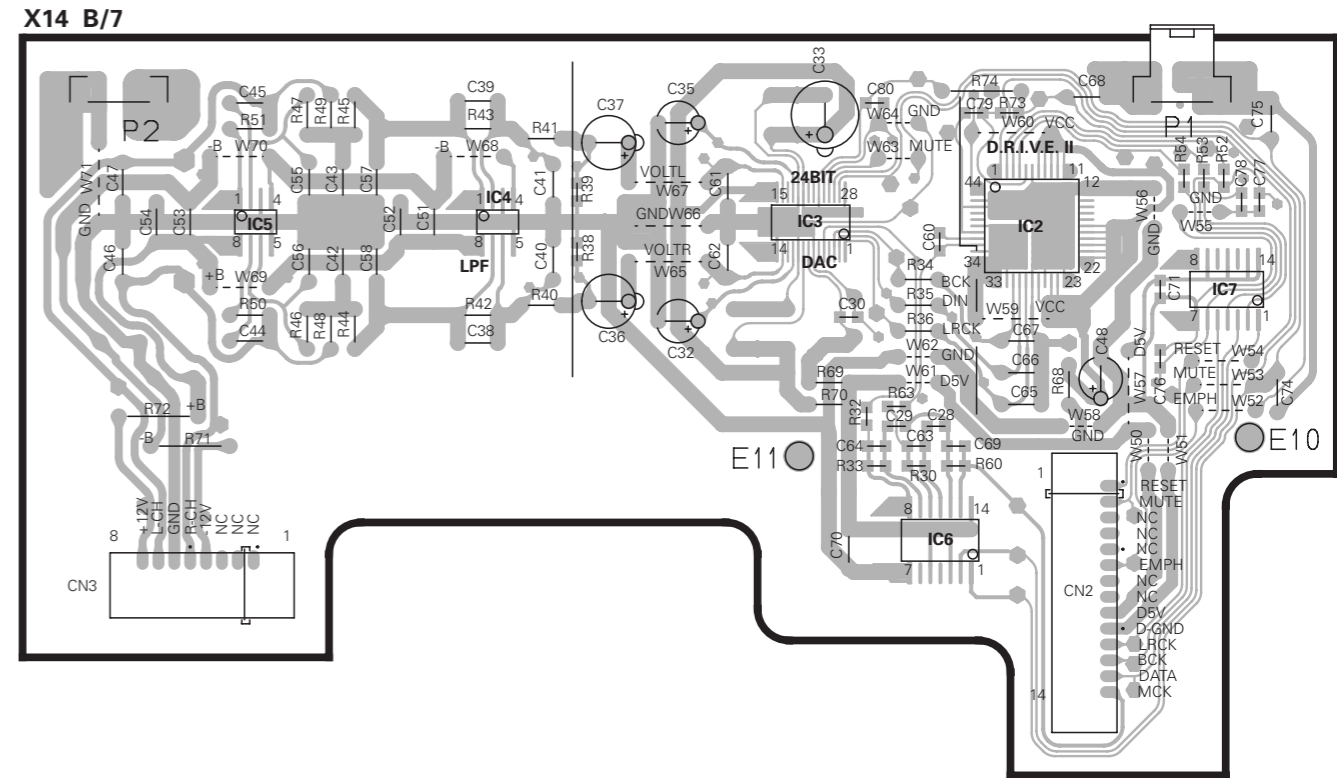
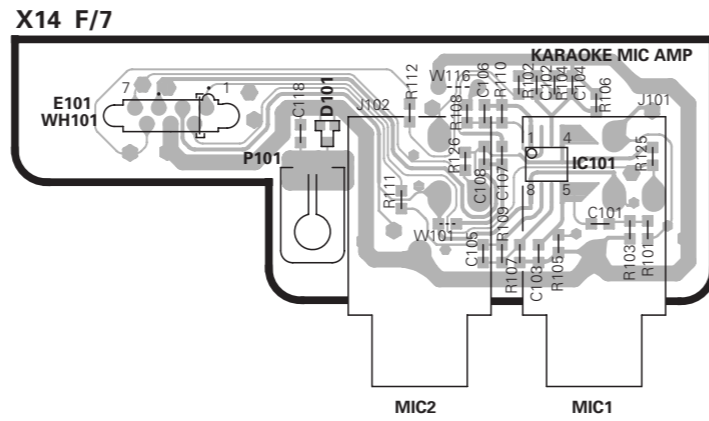
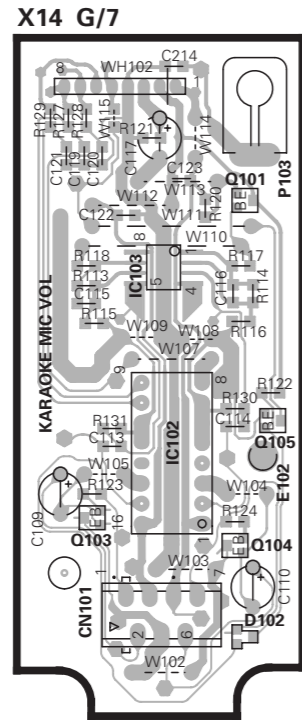
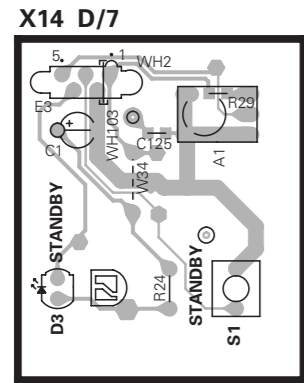
PC BOARD (Component side view)

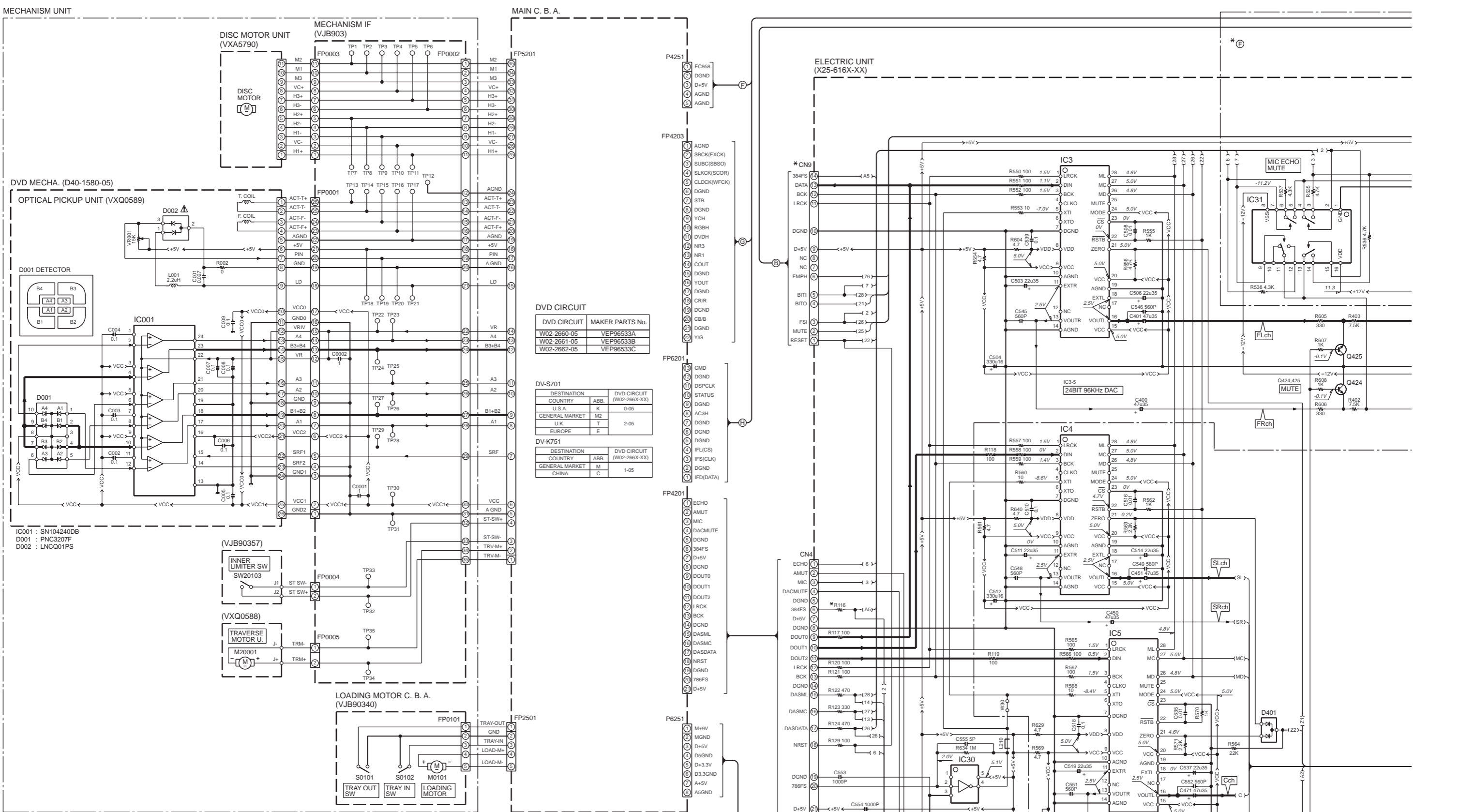


X25-6160-00 (J70-1239-31)

PC BOARD (Component side view)

1
2
3
4
5
6
7





DVD CIRCUIT

DVD CIRCUIT	MAKER PARTS No.
W02-2660-05	VEP96533A
W02-2661-05	VEP96533B
W02-2662-05	VEP96533C

DV-S701

DESTINATION	ABB.	DVD CIRCUIT (W02-266X-XX)
U.S.A.	K	0-05
GENERAL MARKET	M2	
U.K.	T	2-05
EUROPE	E	

DV-K751

DESTINATION	ABB.	DVD CIRCUIT (W02-266X-XX)
U.S.A.	K	0-05
GENERAL MARKET	M	
U.K.	T	2-05
EUROPE	E	

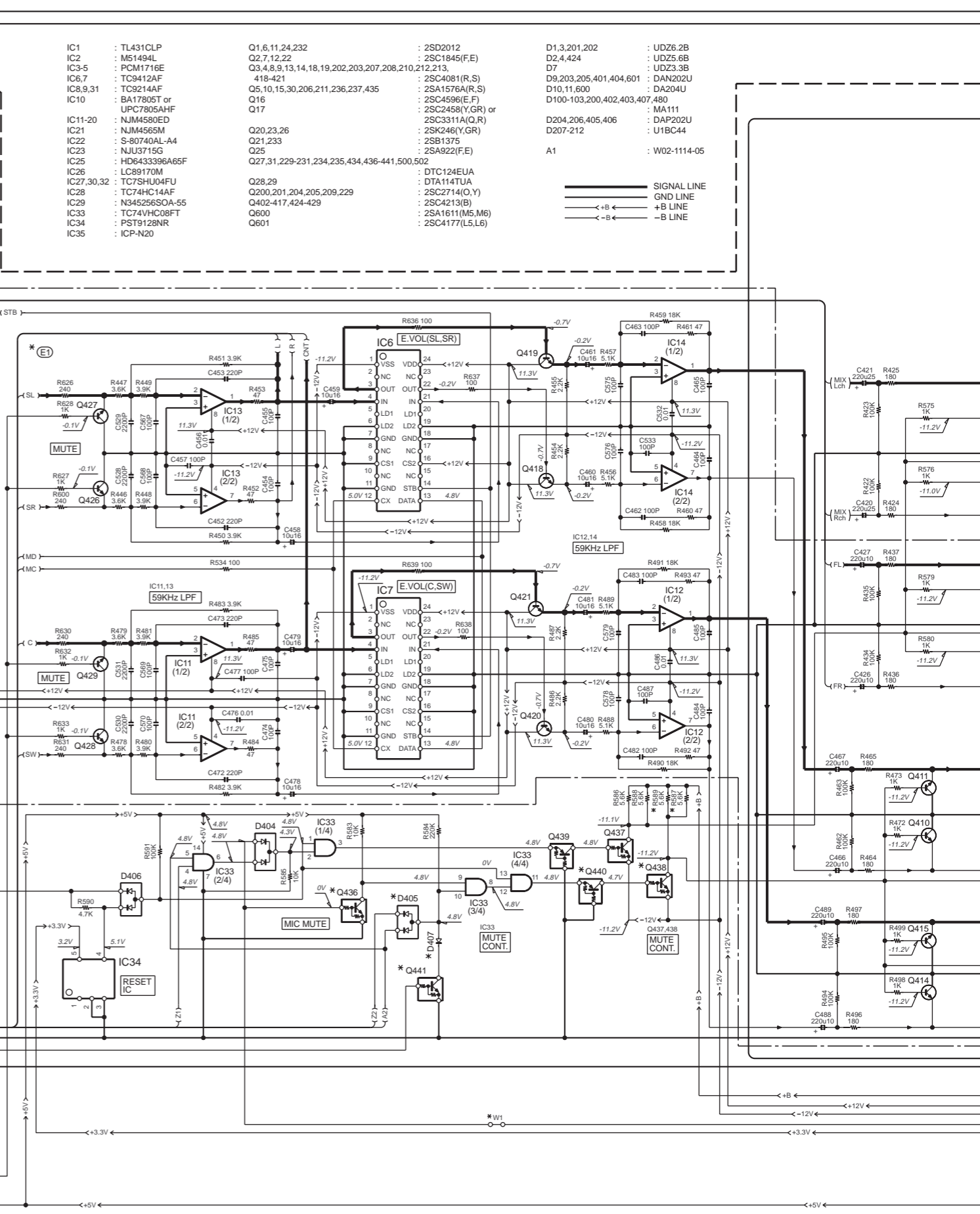
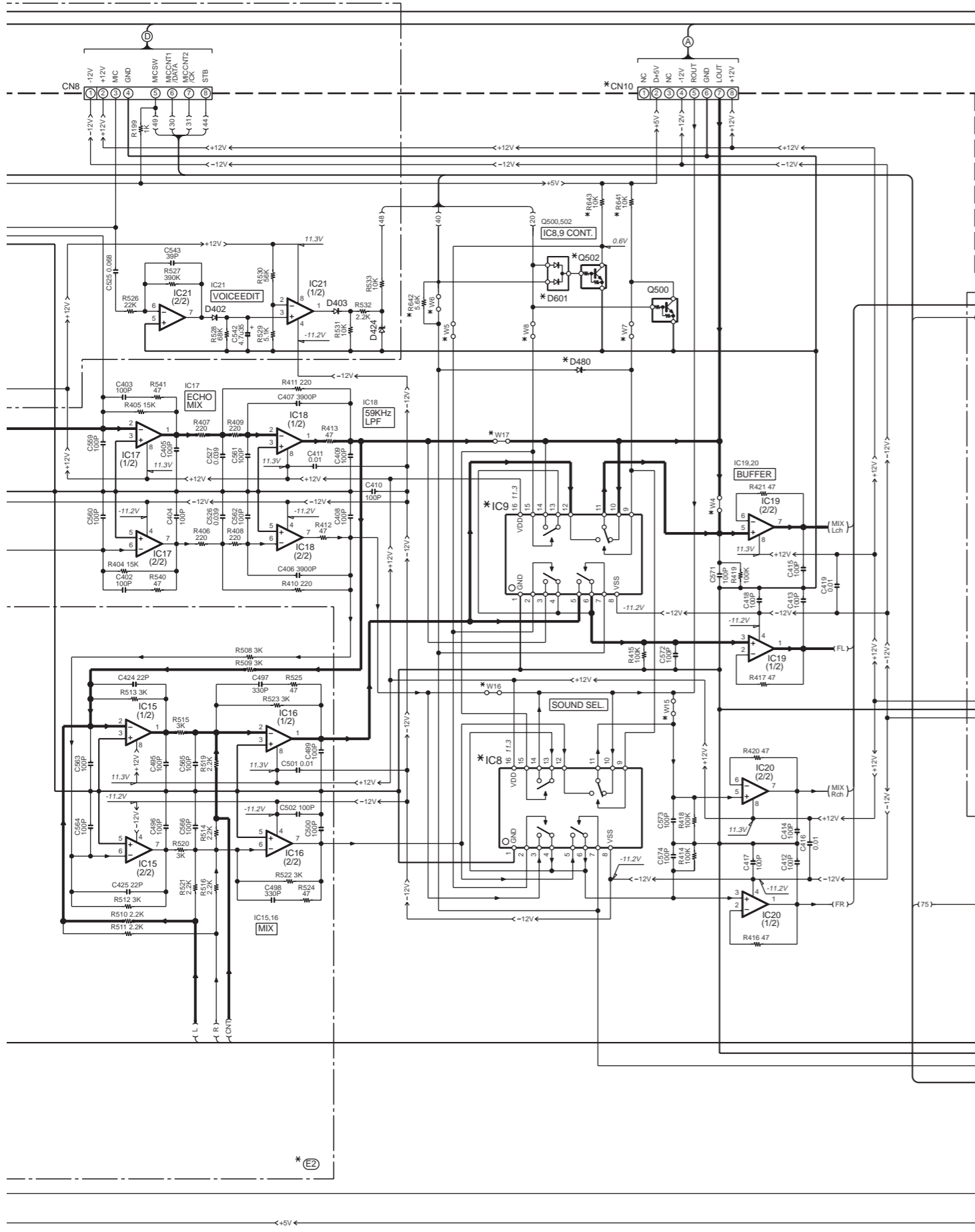
* NOTE: Please replace the DVD circuit PCB (W02-26X-XX) with new one, if it is malfunction.

DV-S701 (X25-616X-XX)

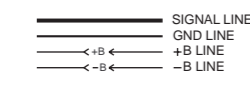
DESTINATION	ABB.	UNIT No.	(A)	(B)	(E)	(F)	IC8_9	IC27_29	CN9	R116	R119,587,588,641-643	R130-134,148,171,810,642	R137-140,149,171,810	R432,433,528,507,12K	W1,6	W4,15-17,21,22,30	W5,7	D405,407,601	Q436,438,440,441,502	D480	L198	J4	J5	E2
U.S.A.	K	0-13		NO	NO	NO	NO	NO	NO	NO	NO	NO	NO	NO	NO	NO	NO	NO	NO	NO	NO	NO	NO	NO
GENERAL MARKET	M2		YES	YES	NO	YES	YES	YES	100	YES	NO	YES	750	NO	NO	NO	YES	YES	YES	YES	NO	YES	NO	NO
U.K.	T1	2-71																						
EUROPE	E1																							

DV-K751 (X25-6160-24)

DESTINATION	ABB.	UNIT No.	(A)	(B)	(E)	(F)	IC8_9	IC27_29	CN9	R116,137-140,148,171,810,642	R119,130-134,149,170,587,589,641,643	R432,433,506,507,12K	W1,5,7,8	W4,6,15-17,21,22,30	D405,407,601	Q436,438,440,441,502	D480	L198	J4	J5	E2				
U.S.A.	K	0-24	NO	NO	YES	YES	NO	NO	NO	NO	NO	NO	NO	NO	NO	NO	NO	NO	NO	NO	NO	NO	NO	NO	
GENERAL MARKET	M1																								
U.K.	T1																								
EUROPE	E1																								



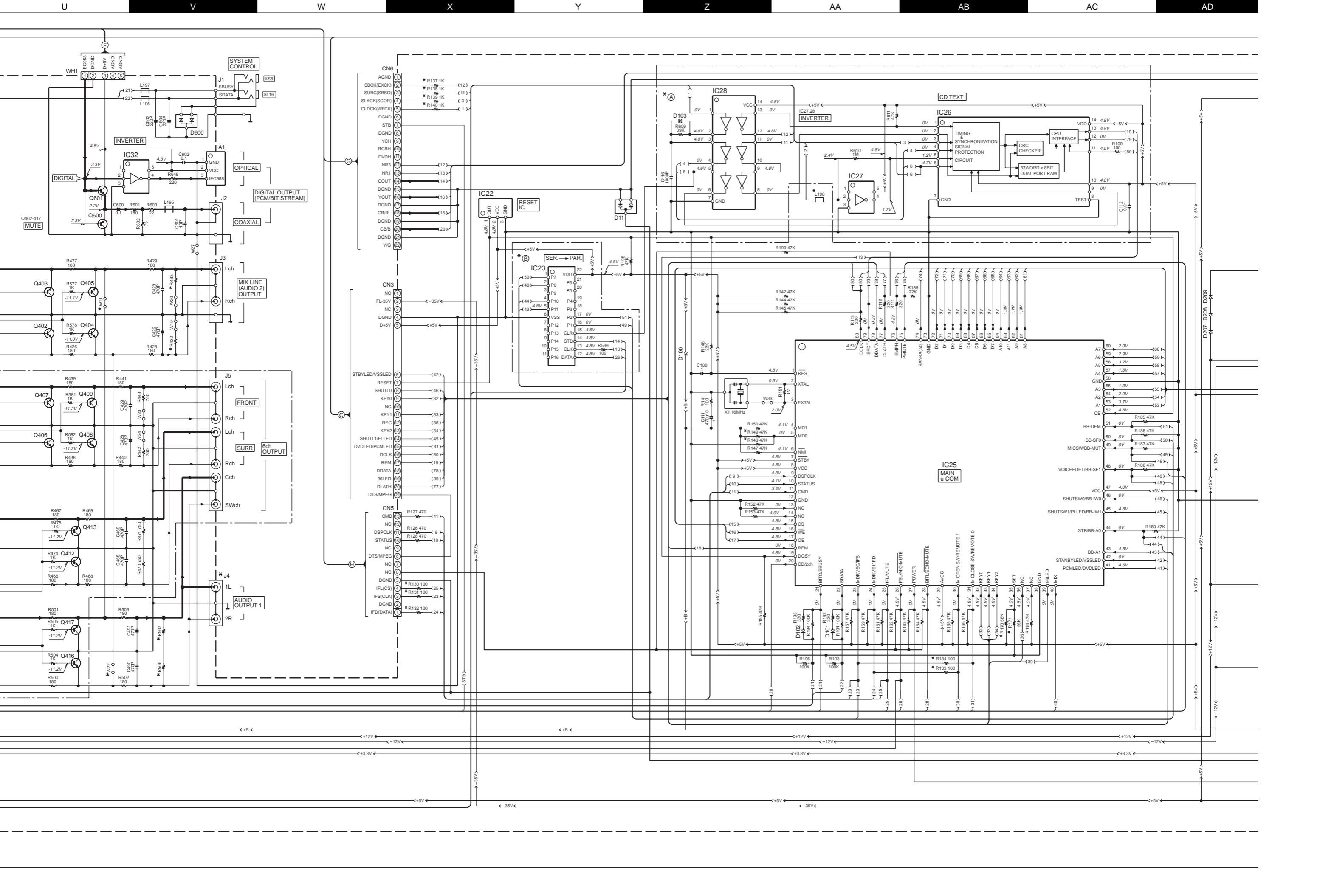
IC1	: TL431CLP	Q1,6,11,24,232	: 2SD2012	D1,3,201,202	: UD26.2B
IC2	: M51494L	Q2,7,12,22	: 2SC1845(F,E)	D2,4,424	: UD25.6B
IC3-5	: PCM1716E	Q3,4,8,9,13,14,18,19,202,203,207,208,210,212,213,		D7	: UD23.3B
IC6,7	: TC9412AF	418-421	: 2SC4081(R,S)	D9,203,205,401,404,601	: DAN202U
IC8,9,31	: TC9214AF	Q5,10,15,30,206,211,236,237,435	: 2SA1576A(R,S)	D10,11,600	: DA204U
IC10	: BA17805T or UPC7805AHF	Q16	: 2SC4596(E,F)	D100-103,200,402,403,407,480	
IC11-20	: NJM4580ED	Q17	: 2SC2458(Y,GR) or 2SC3311A(Q,R)		: MA111
IC21	: NJM4565M	Q20,23,26	: 2SC2458(Y,GR)	D204,206,405,406	: DAP202U
IC22	: S-80740AL-A4	Q21,233	: 2SK246(Y,GR)	D207-212	: U1BC44
IC23	: NJU3715G	Q25	: 2SB1375		
IC25	: HD6433396A65F	Q27,31,229-231,234,235,434,436-441,500,502	: 2SA922(F,E)	A1	: W02-1114-05
IC26	: LC89170M				
IC27,30,32	: TC7SHU04FU		: DTC124EUA		
IC28	: TC74HC14AF	Q28,29	: DTA114TUA		
IC29	: N345256SOA-55	Q200,201,204,205,209,229	: 2SC2714(O,Y)		
IC33	: TC74VHC08FT	Q402-417,424-429	: 2SC4213(B)		
IC34	: PST9128NR	Q600	: 2SA1611(M5,M6)		
IC35	: ICP-N20	Q601	: 2SC4177(L5,L6)		

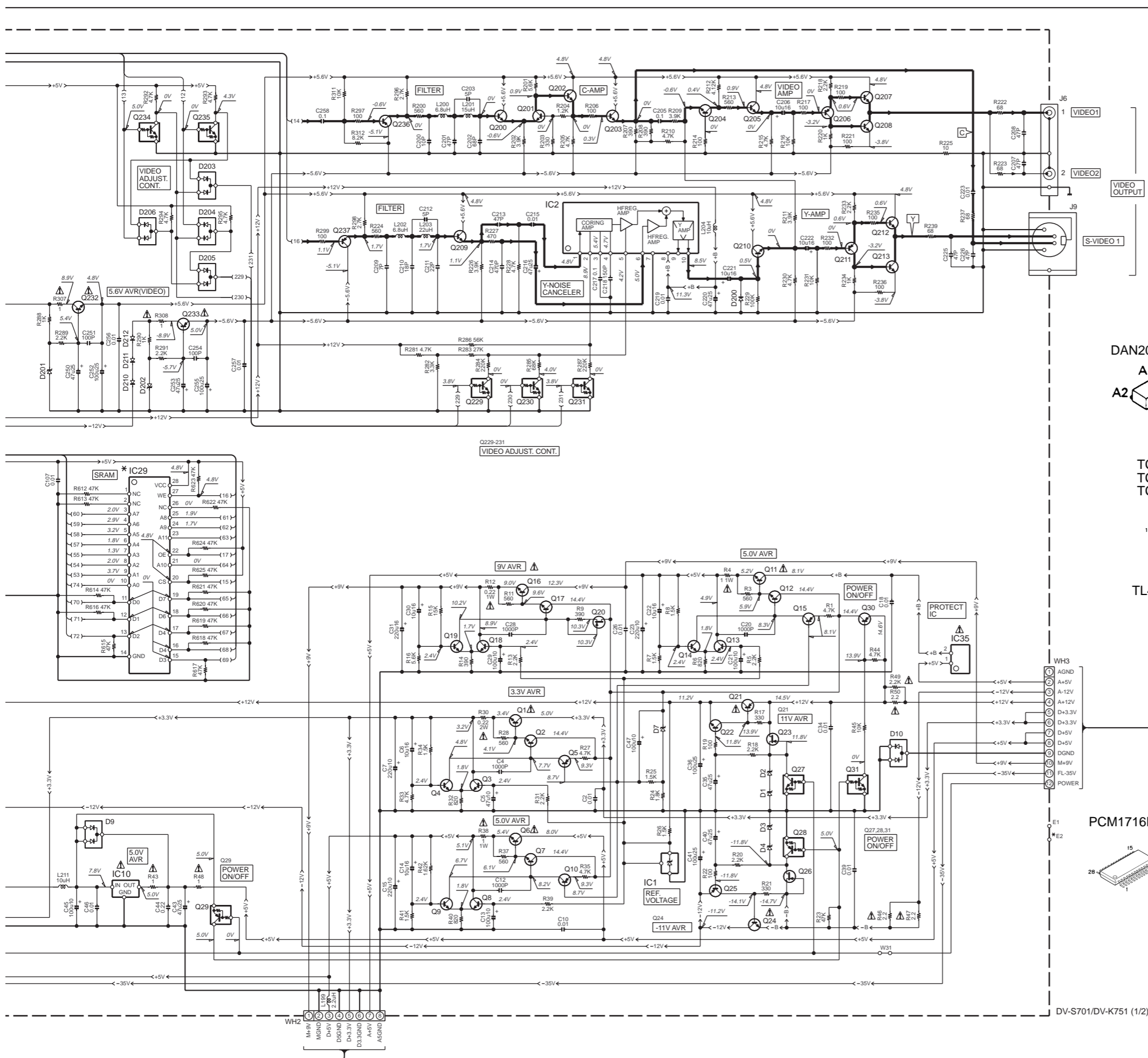


(E)

(E)

(E)





- | | | | |
|-------------------------------|--|------------------------|--|
| X14-B/7
-CN3
2/2
A | 2SA992
2SC1845 | 2SC2785 | DTC114ES
2SA933S
2SC1740S
2SC2458 |
| X14-B/7
-CN2
2/2
B | 2SC2714
2SC4081 | 2SC3311A | 2SB1375
2SD2012 |
| X14-A/7
-CN1
2/2
C | DTA114TUA | TC9210P | NJM4565M
NJM4580ED |
| X14-G/7
-WH102
2/2
D | DAN202U
A1
A2 | BA17805T
UPC7805AHF | DAP202U
DA204U |
| | 2SK246 | TC9214AF | |
| | TC74HCT7007AF
TC74HC14AF
TC74VHCU04F | LC89170M | NJU3715G |
| | TL431CLP | S-80740AL-A4 | HD6433396A65F |
| | PCM1716E | TC7SHU04FU | ICP-N20 |
| | | | LC75712E |

CAUTION: For continued safety, replace safety critical components only with manufacturer's recommended parts (refer to parts list). Δ indicates safety critical components. For continued protection against risk of fire, replace only with same type and rating fuse(s). To reduce the risk of electric shock, leakage-current or resistance measurements shall be carried out (exposed parts are acceptably insulated from the supply circuit) before the appliance is returned to the customer.

The DC voltage is an actual reading measured with a high impedance type voltmeter with a cassette loaded at playback mode. The measurement value may vary depending on the measuring instruments used or on the product. Bias circuit DC voltage is measured while in the record mode.

DV-S701/DV-K751 (1/2)

DV-K751/S701

Y22-7860-10

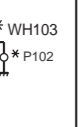
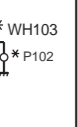
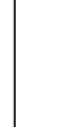
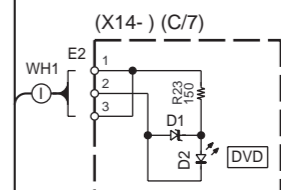
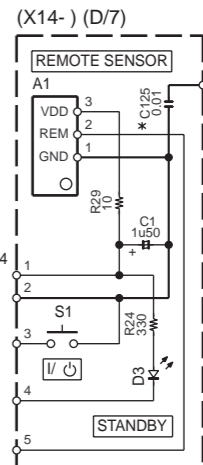
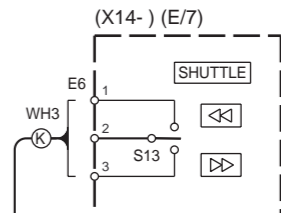
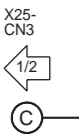
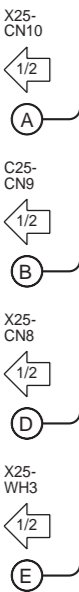
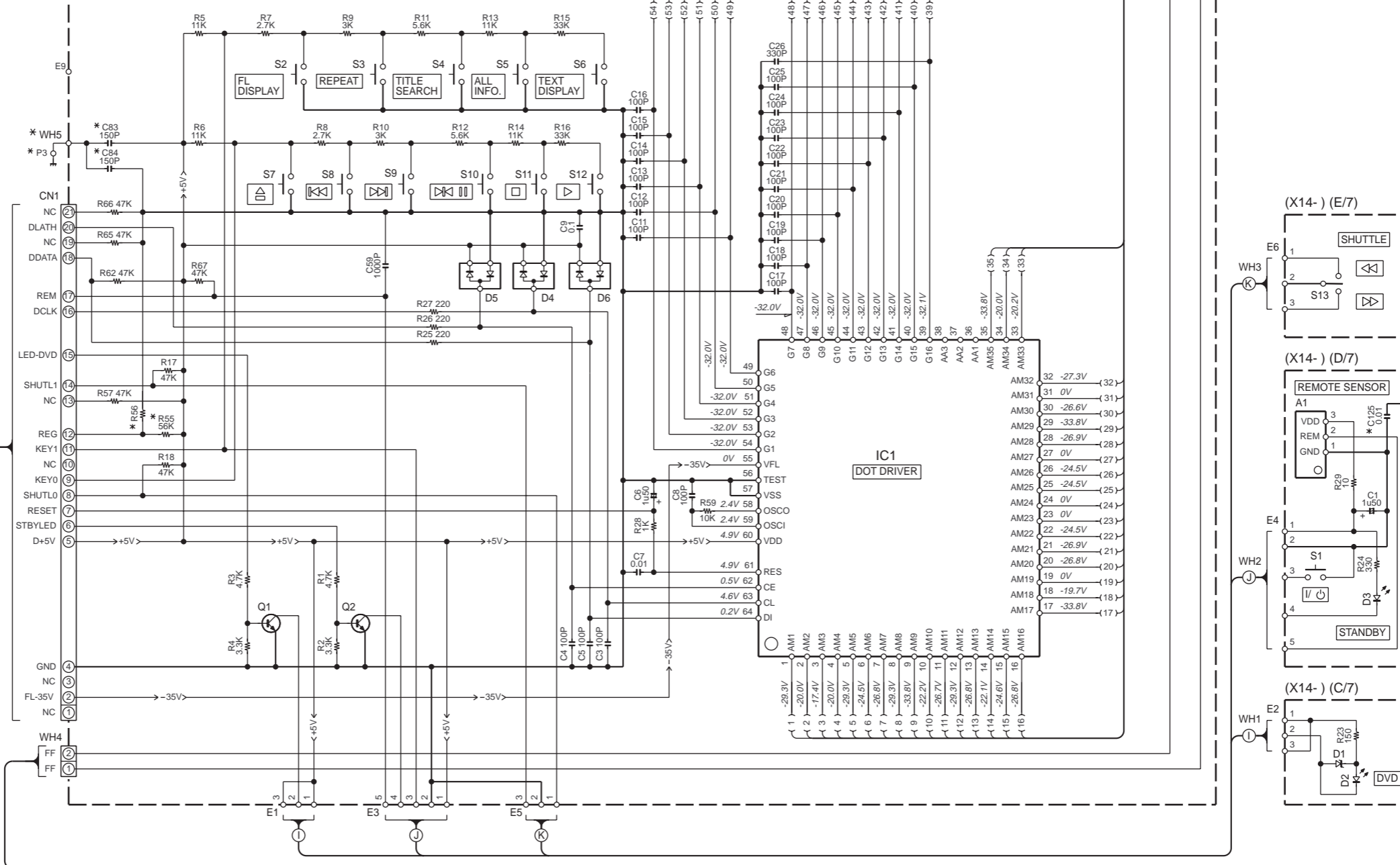
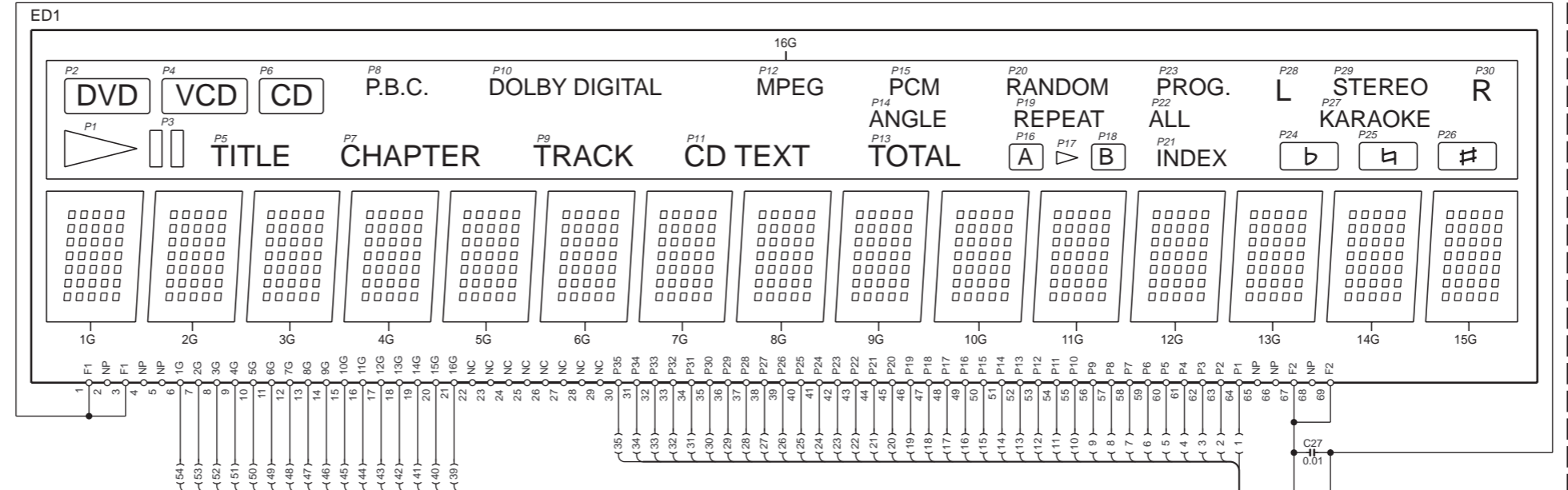
KENWOOD

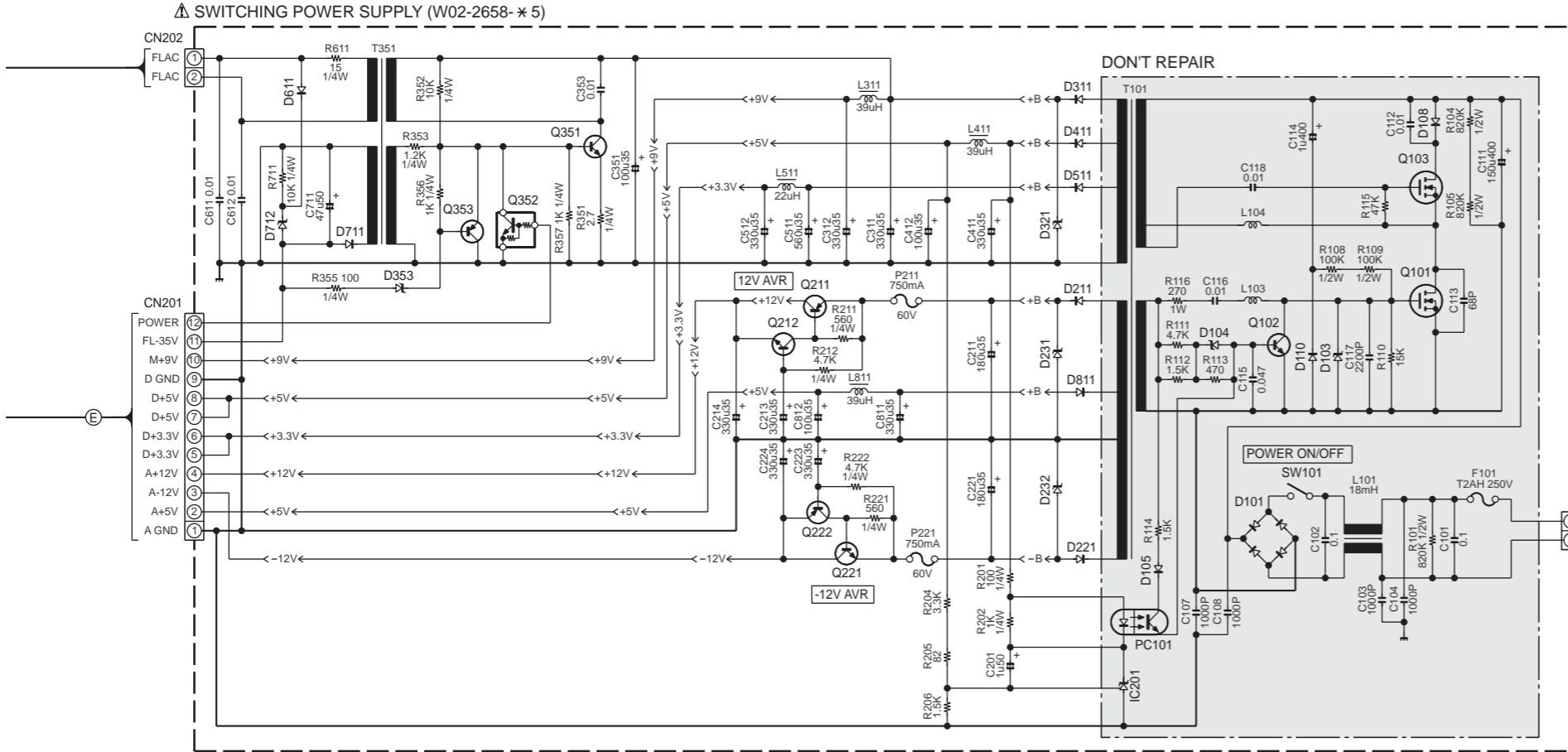
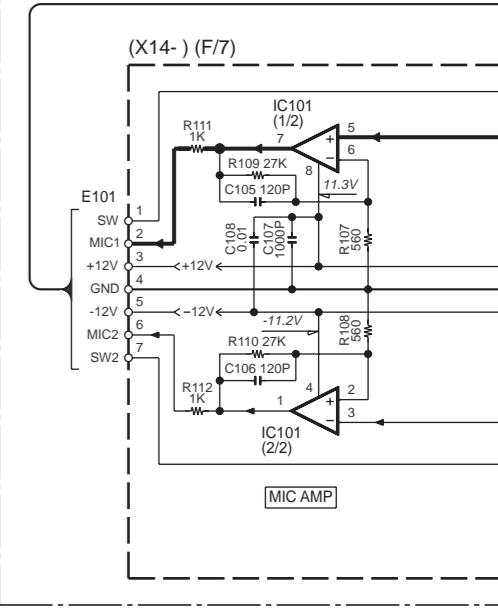
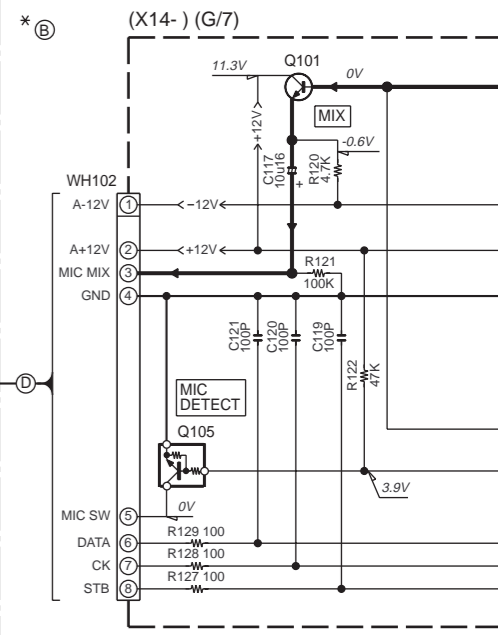
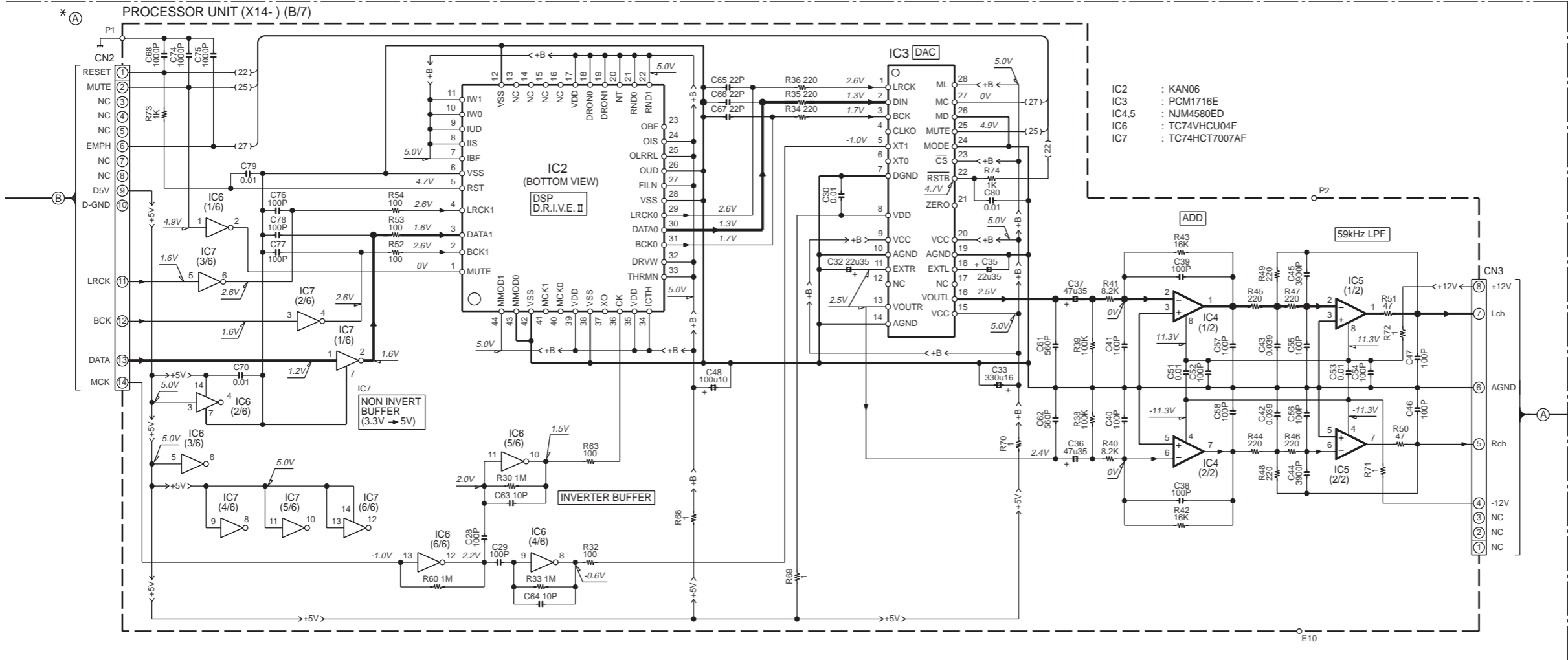
DISPLAY UNIT (X14-484X-XX) (A/7) DV-S701/K751

- IC1 : LC75712E
- Q1,2 : 2SC1740S(Q,R) or 2SC2785(F,E)
- D1 : UDZ5.6B
- D2 : B30-2526-05
- D3 : B30-2513-05
- D4-6 : DA204U
- ED1 : 16-ST-20GK
- A1 : W02-2571-05

P1	P2	P3	P4	P5
1-1	2-1	3-1	4-1	5-1
P6	P7	P8	P9	P10
1-2	2-2	3-2	4-2	5-2
P11	P12	P13	P14	P15
1-3	2-3	3-3	4-3	5-3
P16	P17	P18	P19	P20
1-4	2-4	3-4	4-4	5-4
P21	P22	P23	P24	P25
1-5	2-5	3-5	4-5	5-5
P26	P27	P28	P29	P30
1-6	2-6	3-6	4-6	5-6
P31	P32	P33	P34	P35
1-7	2-7	3-7	4-7	5-7

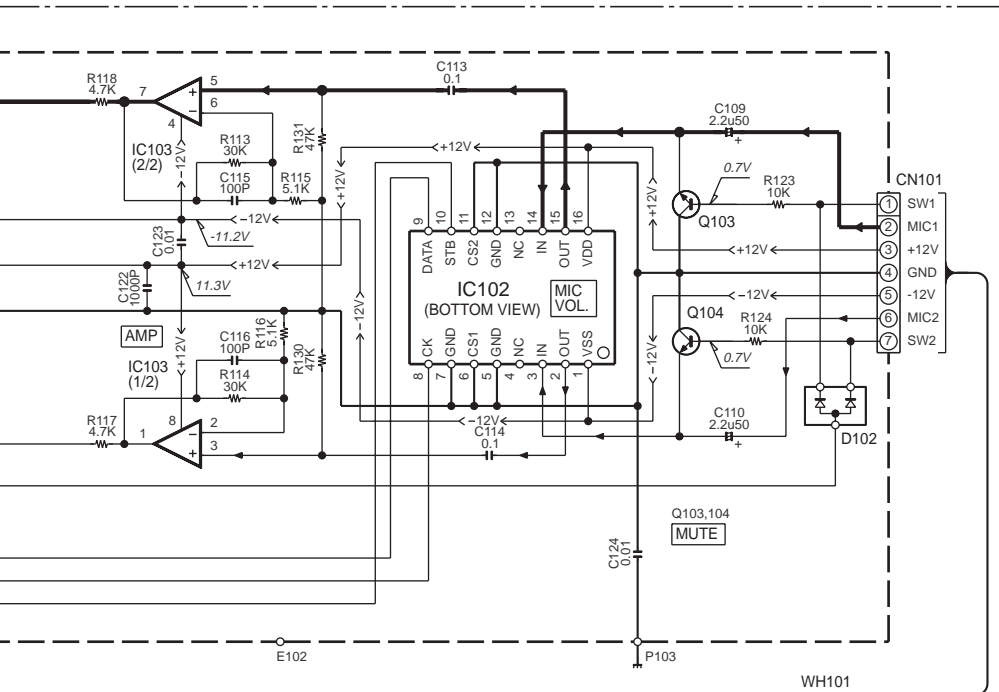
(1G-15G)





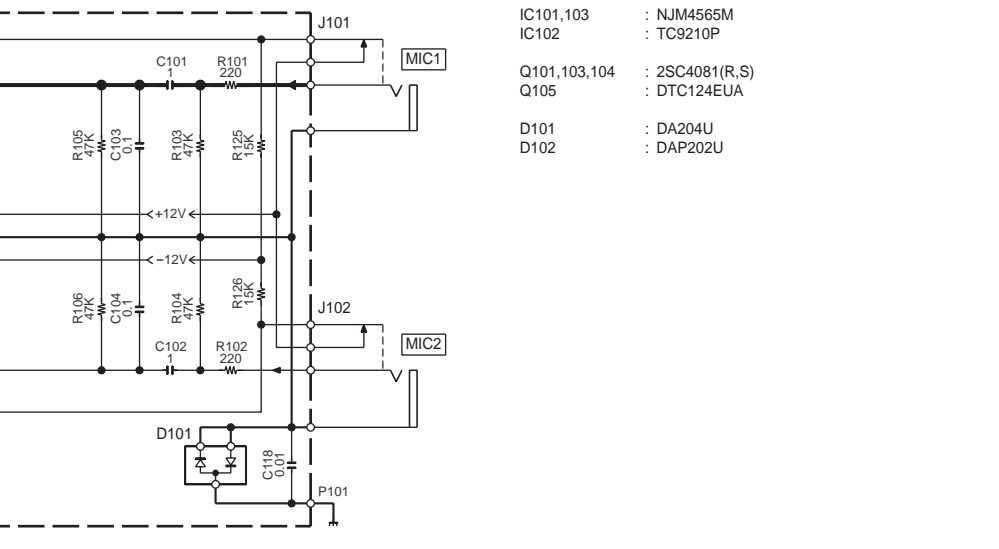
- IC201 : AN1431T
- Q211 : 2SB1566
- Q212 : 2SC1740S
- Q221,351 : 2SD2395
- Q222,353 : 2SA933S
- Q352 : DTC114ES
- D101 : S1WBA60
- D103 : RD18FB2
- D104 : MTZJ2.0B
- D105,611 : 1SS270A
- D108,110 : D1N60
- D211,221 : 11EQS10
- D231 : MTZJ5.6C
- D232 : MTZJ30C
- D311 : S2L20U
- D321 : MTZJ15B
- D353 : MTZJ39B
- D411,811 : 21DQ06
- D511 : D3S4M
- D611 : 1SS270A
- D711 : 10ELS2
- D712 : MTZJ12A
- PC101 : TLP721F

(K) : AC120V 60Hz
 (M) : AC110-120V/220-240V-50/60Hz
 (T,E) : AC230V-50Hz
 (C) : AC220V-50Hz



CAUTION: For continued safety, replace safety critical components only with manufacturer's recommended parts (refer to parts list). Δ indicates safety critical components. For continued protection against risk of fire, replace only with same type and rating fuse(s). To reduce the risk of electric shock, leakage-current or resistance measurements shall be carried out (exposed parts are acceptably insulated from the supply circuit) before the appliance is returned to the customer.

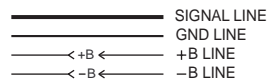
The DC voltage is an actual reading measured with a high impedance type voltmeter with a cassette loaded at playback mode. The measurement value may vary depending on the measuring instruments used or on the product. Bias circuit DC voltage is measured while in the record mode.



IC101,103	: NJM4565M
IC102	: TC9210P
Q101,103,104	: 2SC4081(R,S)
Q105	: DTC124EUA
D101	: DA204U
D102	: DAP202U

DV-S701 (X14-484X-XX)

DESTINATION		UNIT No.	A	B	C83,84, 125	P3, 102	WH5, 103	R55	R56
COUNTRY	ABB.								
U.S.A.	K	0-10	NO		NO	NO	NO		100K
U.K.	T1	2-71						YES	
EUROPE	E1		YES	NO	YES	YES	YES		56K
GENERAL MARKET	M2	0-21						NO	



DV-K751 (X14-484X-XX)

DESTINATION		UNIT No.	A	B	C83,84, 125	P3, 102	WH5, 103	R55	R56
COUNTRY	ABB.								
CHINA	C1	3-01			YES	YES	YES	YES	12K
GENERAL MARKET	M1	0-22	NO	YES	YES	YES	YES	YES	27K

DV-S701/DV-K751 (2/2)

DV-K751/S701

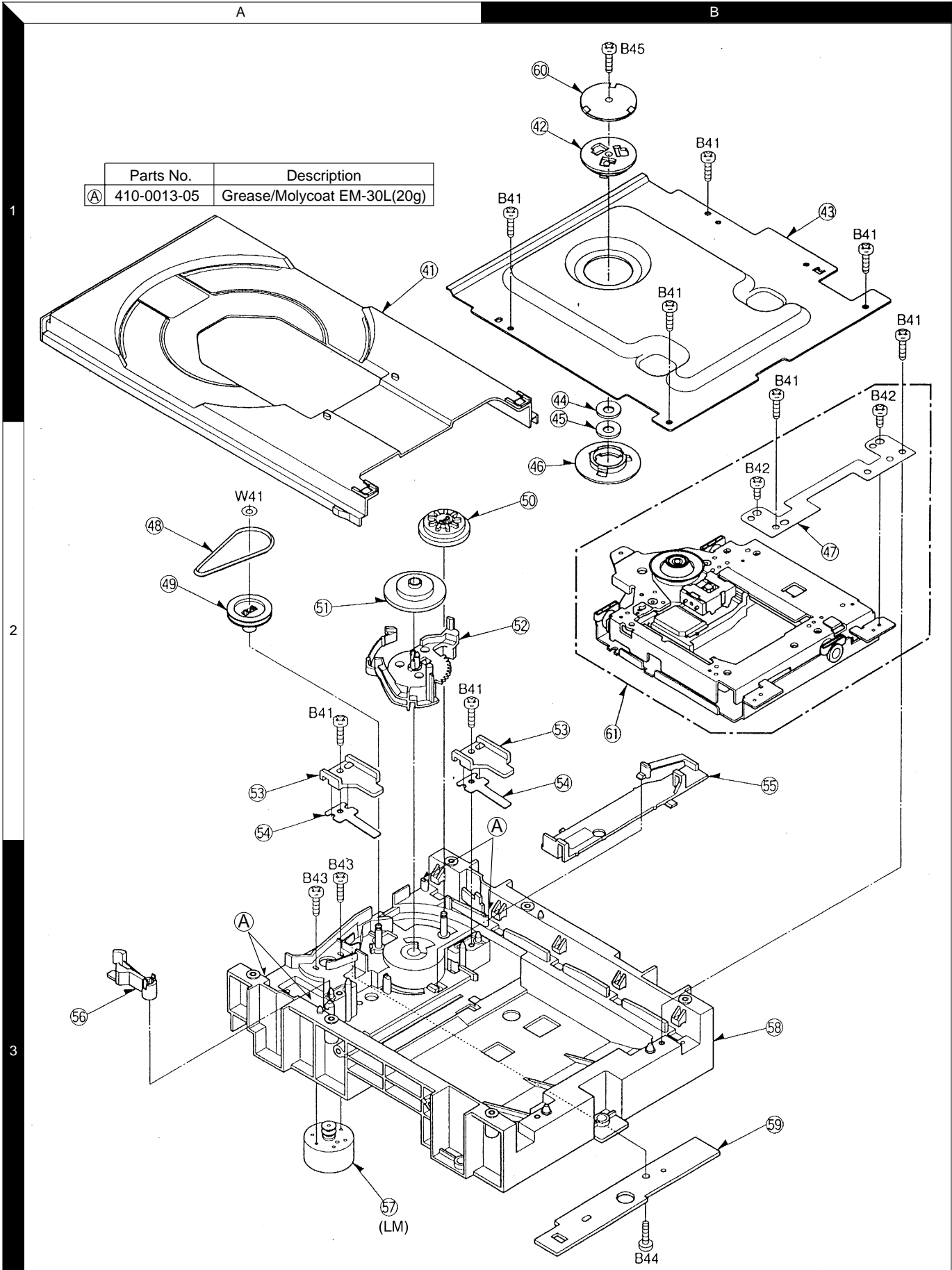
Y22-7860-10

KENWOOD

DV-K751/S701

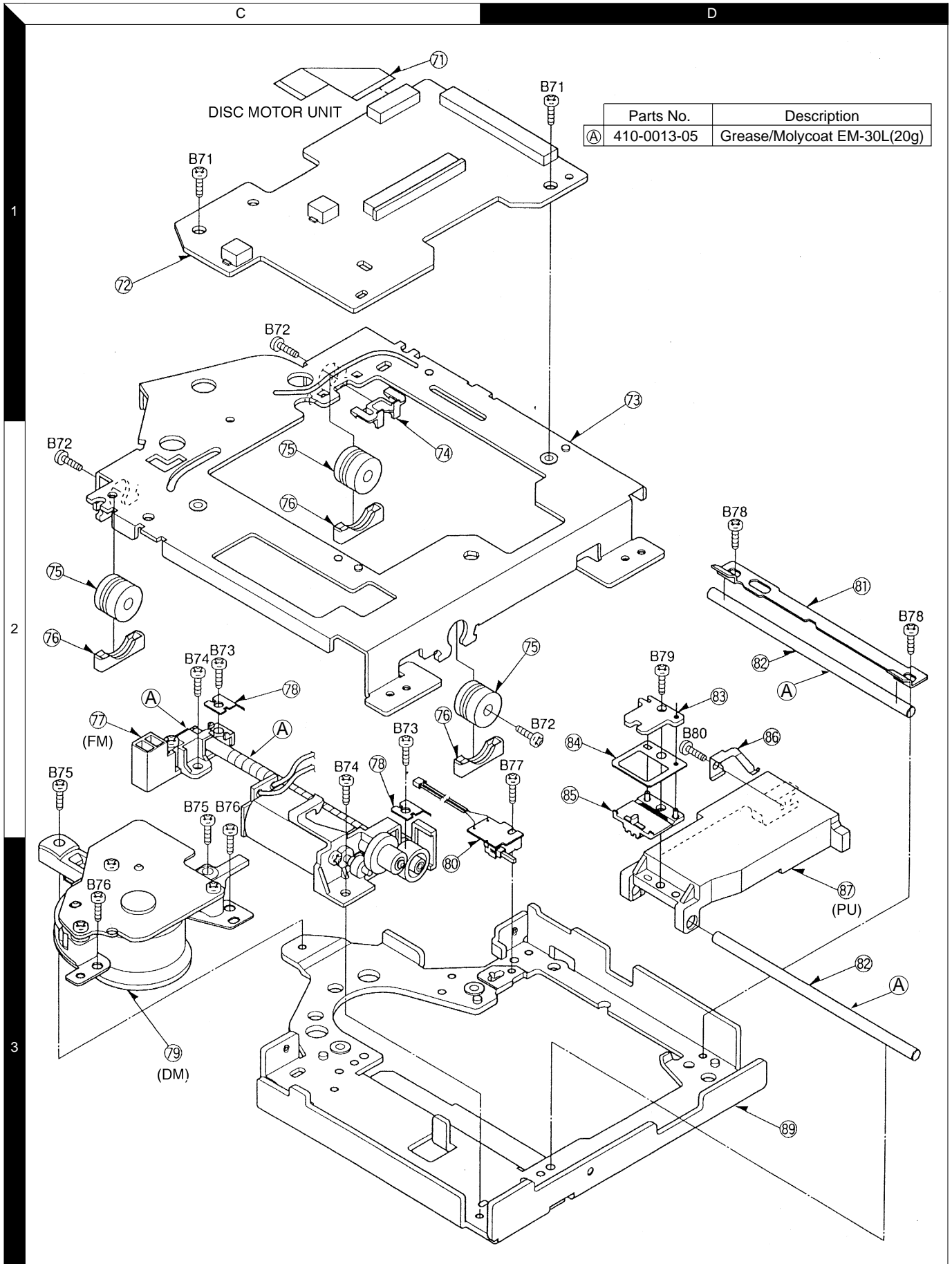
EXPLODED VIEW (MECHANISM : 1)

Parts No.	Description
(A) 410-0013-05	Grease/Molycoat EM-30L(20g)



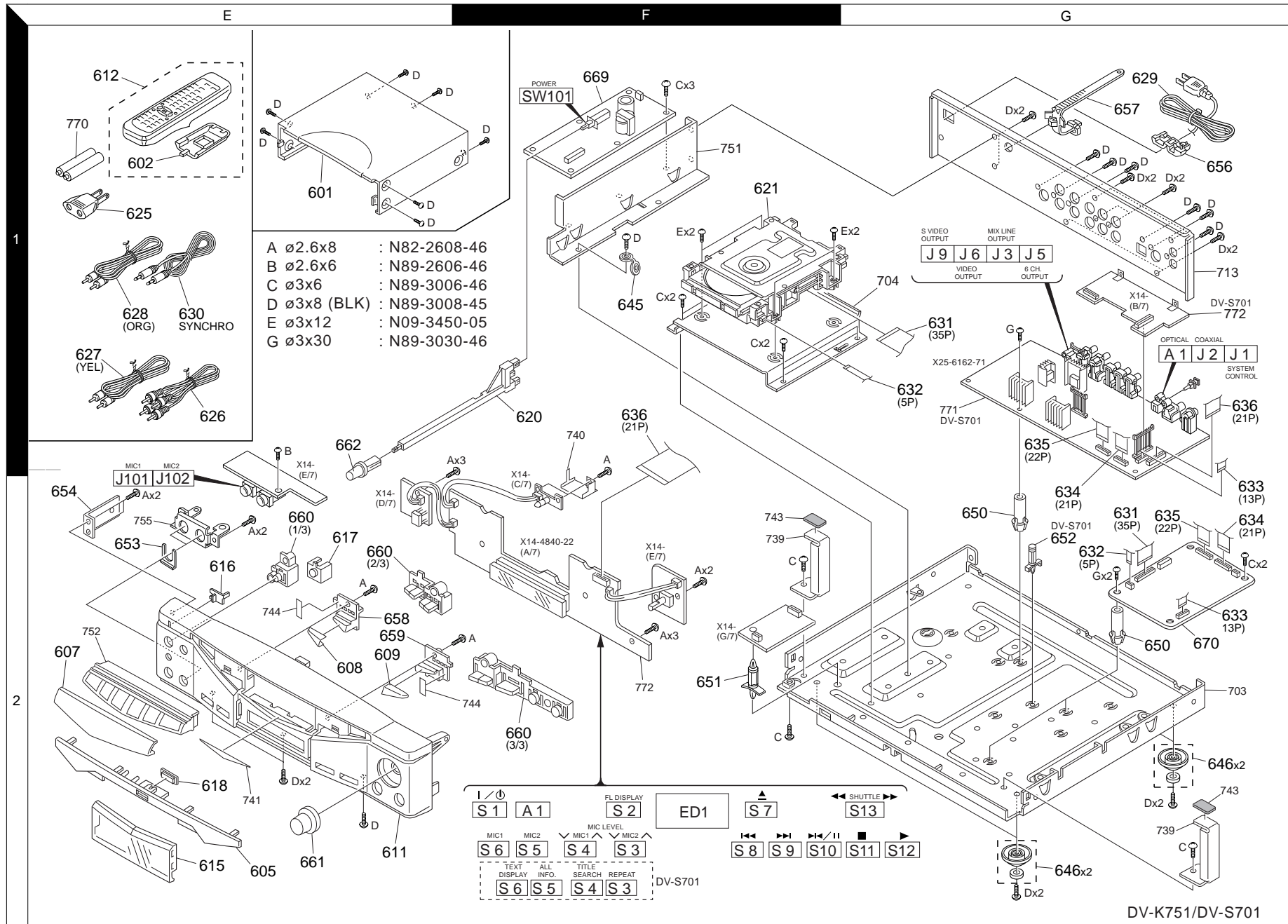
DV-K751/S701

EXPLODED VIEW (MECHANISM : 2)



Parts with exploded view numbers larger than 700 are not supplied.

Parts with exploded numbers larger than 700 are not supplied.



DV-K751/DV-S701

* New Parts
 Parts without **Parts No.** are not supplied.
 Les articles non mentionnés dans le **Parts No.** ne sont pas fournis.
 Teile ohne **Parts No.** werden nicht geliefert.

1

Ref. No	Add-ress	New Parts	Parts No.	Description	Desti-nation	Re-marks
DV-S701/K751						
601	1E		A01-3539-01	METALLIC CABINET		
602	1E		A09-1105-05	BATTERY COVER		
605	2E		A21-3627-12	DRESSING PANEL		
607	2E	*	A21-3724-03	DRESSING PANEL	E1	
607	2E	*	A21-3724-03	DRESSING PANEL	KM2T1	
607	2E	*	A21-3728-03	DRESSING PANEL	M1C1	
608	2E	*	A21-3725-03	DRESSING PANEL	E1	
608	2E	*	A21-3725-03	DRESSING PANEL	KM2T1	
608	2E	*	A21-3729-03	DRESSING PANEL	M1C1	
609	2E	*	A21-3726-03	DRESSING PANEL	E1	
609	2E	*	A21-3726-03	DRESSING PANEL	KM2T1	
609	2E	*	A21-3730-03	DRESSING PANEL	M1C1	
611	2E	*	A60-1514-01	PANEL	K	
611	2E	*	A60-1515-01	PANEL	M1	
611	2E	*	A60-1516-01	PANEL	M2T1E1	
611	2E	*	A60-1517-01	PANEL	C1	
612	1E	*	A70-1231-05	REMOTE CONTROL (RC-D0703)	M2T1E1	
612	1E	*	A70-1243-05	REMOTE CONTROL (RC-D0704)	K	
612	1E	*	A70-1244-05	REMOTE CONTROL (RC-D0706)	M1C1	
615	2E		B10-2386-12	FRONT GLASS		
616	2E		B12-0311-04	INDICATOR		
617	2E		B12-0329-04	INDICATOR REMOCON		
618	2E	*	B12-0332-14	INDICATOR DVD		
-			B46-0096-53	WARRANTY CARD	M2	
-			B46-0197-00	QUESTIONNAIRE CARD	K	
-			B46-0310-03	WARRANTY CARD	T1E1	
-			B46-0319-00	QUESTIONNAIRE CARD	T1	
-			B46-0326-03	WARRANTY CARD	C1	
-			B46-0328-03	WARRANTY CARD	K	
-			B46-0336-03	WARRANTY CARD	T1	
-			B58-0945-03	CAUTION CARD	C1	
-			B58-1599-03	CAUTION CARD	K	
-		*	B60-4024-00	INSTRUCTION MANUAL(EN)	M2T1E1	
-		*	B60-4026-00	INSTRUCTION MANUAL(EN)		
-		*	B60-4027-00	INSTRUCTION MANUAL(FR)	E1	
-		*	B60-4028-00	INSTRUCTION MANUAL(GE)	E1	
-		*	B60-4029-00	INSTRUCTION MANUAL(NE)	E1	
-		*	B60-4030-00	INSTRUCTION MANUAL(IT)	E1	
-		*	B60-4031-00	INSTRUCTION MANUAL(ES)	E1	
-		*	B60-4032-00	INSTRUCTION MANUAL(EN)	M1C1	
-		*	B60-4033-00	INSTRUCTION MANUAL(SC)	C1	
-		*	B60-4061-00	INSTRUCTION MANUAL(TC)	M1	
620	1F	*	D21-1898-13	EXTENSION SHAFT		
621	1F		D40-1580-05	MECHANISM ASSY		
Δ 625	1E		E03-0115-05	AC PLUG ADAPTER	M1	
626	1E		E30-0505-05	AUDIO CORD AUDIO		
627	1E		E30-1427-05	AUDIO CORD VIDEO		
628	1E		E30-2365-05	CORD WITH PLUG,DIGITAL		
Δ 629	1G		E30-2592-15	AC POWER CORD	M1E1	
Δ 629	1G		E30-2650-05	AC POWER CORD	K	
Δ 629	1G		E30-2717-05	AC POWER CORD	M2	
Δ 629	1G		E30-2721-05	AC POWER CORD	T1	

L : Scandinavia K : USA P : Canada R : Mexico C : China I : Malaysia
 Y : PX(Far East, Hawaii) T : Europe E : Europe G : Germany V : China(Shanghai)
 Y : AAFES(Europe) X : Australia Q : Russia H : Korea M : Other Areas Δ indicates safety critical components.

* New Parts
 Parts without **Parts No.** are not supplied.
 Les articles non mentionnés dans le **Parts No.** ne sont pas fournis.
 Teile ohne **Parts No.** werden nicht geliefert.

2

Ref. No	Add-ress	New Parts	Parts No.	Description	Desti-nation	Re-marks
Δ 629	1G		E30-2867-05	AC POWER CORD		
630	1E		E30-2733-05	CORD WITH PLUG,SYNCHRO	C1	
631	1G, 2G		E35-2051-05	FLAT CABLE 35P		
632	1G, 2G		E35-2054-05	FLAT CABLE 5P		
633	2G		E35-2179-05	FLAT CABLE 13P		
634	2G		E35-2180-05	FLAT CABLE 21P,L100		
635	1G, 2G		E35-2181-05	FLAT CABLE 22P		
636	1F, 1G		E35-2213-05	FLAT CABLE 21P,L390		
-			H10-7428-02	POLYSTYRENE FOAMED FIXTURE		
-			H10-7429-12	POLYSTYRENE FOAMED FIXTURE		
-		*	H11-0096-04	POLYSTYRENE FOAMED BOARD	M1C1	
-			H12-2384-04	PACKING FIXTURE	T1	
-			H20-0568-04	PROTECTION COVER	M1M2C1	
-			H25-0232-04	PROTECTION BAG (235X350X0.03)	C1E1	
-			H25-0232-04	PROTECTION BAG (235X350X0.03)	KM1M2	
-			H25-0651-04	PROTECTION BAG (0232)	T1	
-			H25-0661-04	PROTECTION BAG	KT1E1	
-		*	H50-3115-14	ITEM CARTON CASE	M1	
-		*	H50-3116-14	ITEM CARTON CASE	KM2E1	
-		*	H50-3117-14	ITEM CARTON CASE	C1	
-		*	H50-3118-14	ITEM CARTON CASE	T1	
645	1F		J42-0331-14	BUSHING		
646	2G		J02-1188-13	FOOT		
650	2G		J19-3703-14	UNIT HOLDER		
651	2F		J19-3327-05	UNIT HOLDER	M1C1	
652	2G	*	J19-5959-05	UNIT HOLDER	M2T1E1	
653	2E		J21-3326-05	JACK MOUNTING HARDWARE	M1C1	
654	2E		J21-6480-04	MOUNTING HARDWARE		
Δ 656	1G		J42-0083-05	POWER CORD BUSHING		
657	1G		J61-0101-05	WIRE BAND		
-			J19-2808-05	HOLDER		
-			J61-0307-05	WIRE BAND		
658	2E		K29-6677-03	KNOB DISPLAY		
659	2E		K29-6679-03	KNOB OPEN/CLOSE		
660	2E		K29-6835-22	KNOB STOP/PLAY		
661	1F		K29-6945-04	KNOB JOG		
662	1E		K27-2249-04	KNOB (BUTTON) POWER		
-		*	L92-0095-05	FERRITE CORE	K	
Δ 669	1F		W02-2658-05	POWER SUPPLY		
670	2G		W02-2660-05	ELECTRIC CIRCUIT MODULE(VEP96533A)	K	
670	2G		W02-2661-05	ELECTRIC CIRCUIT MODULE(VEP96533B)	M1C1	
670	2G		W02-2662-05	ELECTRIC CIRCUIT MODULE(VEP96533C)	M2T1E1	
DISPLAY (X14-4840-10)						
D2			B30-2526-05	LED(BLUE)		
D3			B30-2513-05	LED(RED-635NM,3)		
C1			C90-3253-05	ELECTRO 1.0UF 50WV		
C3~5			CC73FSL1H101J	CHIP C 100PF J		
C6			C90-3253-05	ELECTRO 1.0UF 50WV		
C7			CK73FB1H103K	CHIP C 0.010UF K		
C8			CC73FSL1H101J	CHIP C 100PF J		
C9			CK73FB1C104K	CHIP C 0.10UF K		
C11~25			CC73FSL1H101J	CHIP C 100PF J		

L : Scandinavia K : USA P : Canada R : Mexico C : China I : Malaysia
 Y : PX(Far East, Hawaii) T : Europe E : Europe G : Germany V : China(Shanghai)
 Y : AAFES(Europe) X : Australia Q : Russia H : Korea M : Other Areas Δ indicates safety critical components.

PARTS LIST DV-K751/S701

* New Parts

Parts without **Parts No.** are not supplied.
 Les articles non mentionnés dans le **Parts No.** ne sont pas fournis.
 Teile ohne **Parts No.** werden nicht geliefert.

③

Ref. No	Add-ress	New Parts	Parts No.	Description	Desti-nation	Re-marks
C26			CC73FSL1H331J	CHIP C 330PF J		
C27			CK73EB1H103K	CHIP C 0.010UF K		
C28, 29			CC73FSL1H101J	CHIP C 100PF J	M2T1E1	
C30			CK73FB1H103K	CHIP C 0.010UF K	M2T1E1	
C32			CE04KW1V220M	ELECTRO 22UF 35WV	M2T1E1	
C33			CE04KW1C331M	ELECTRO 330UF 16WV	M2T1E1	
C35			CE04KW1V220M	ELECTRO 22UF 35WV	M2T1E1	
C36, 37			CE04KW1V470M	ELECTRO 47UF 35WV	M2T1E1	
C38-41			CC45FSL1H101J	CERAMIC 100PF J	M2T1E1	
C42, 43			CQ93FMG1H393J	MYLAR 0.039UF J	M2T1E1	
C44, 45			CQ93FMG1H392J	MYLAR 3900PF J	M2T1E1	
C46, 47			CC45FSL1H101J	CERAMIC 100PF J	M2T1E1	
C48			CE04KW1A101M	ELECTRO 100UF 10WV	M2T1E1	
C51			CQ93FMG1H103J	MYLAR 0.010UF J	M2T1E1	
C52			CC45FSL1H101J	CERAMIC 100PF J	M2T1E1	
C53			CQ93FMG1H103J	MYLAR 0.010UF J	M2T1E1	
C54-58			CC45FSL1H101J	CERAMIC 100PF J	M2T1E1	
C59			CK45FB1H102K	CERAMIC 1000PF K		
C61, 62			CK45FB1H561K	CERAMIC 560PF K	M2T1E1	
C63, 64			CC73FSL1H100D	CHIP C 10PF D	M2T1E1	
C65-67			CC45FSL1H220J	CERAMIC 22PF J	M2T1E1	
C68			CK45FB1H102K	CERAMIC 1000PF K	M2T1E1	
C70			CQ93FMG1H103J	MYLAR 0.010UF J	M2T1E1	
C74, 75			CK45FB1H102K	CERAMIC 1000PF K	M2T1E1	
C76-78			CC73FSL1H101J	CHIP C 100PF J	M2T1E1	
C79, 80			CK73FB1H103K	CHIP C 0.010UF K	M2T1E1	
C83, 84			CC45FSL1H151J	CERAMIC 150PF J	M1M2C1	
C83, 84			CC45FSL1H151J	CERAMIC 150PF J	T1E1	
C101, 102			CK73FB1A105K	CHIP C 1.0UF K	M1C1	
C103, 104			CK73FB1C104K	CHIP C 0.10UF K	M1C1	
C105, 106			CC73FSL1H121J	CHIP C 120PF J	M1C1	
C107			CC73FSL1H102J	CHIP C 1000PF J	M1C1	
C108			CK73FB1H103K	CHIP C 0.010UF K	M1C1	
C109, 110			CE04KW1H2R2M	ELECTRO 2.2UF 50WV	M1C1	
C113, 114			CK73FB1C104K	CHIP C 0.10UF K	M1C1	
C115, 116			CC73FSL1H101J	CHIP C 100PF J	M1C1	
C117			CE04KW1C100M	ELECTRO 10UF 16WV	M1C1	
C118			CK73FB1H103K	CHIP C 0.010UF K	M1C1	
C119-121			CC73FSL1H101J	CHIP C 100PF J	M1C1	
C122			CC73FSL1H102J	CHIP C 1000PF J	M1C1	
C123-125			CK73FB1H103K	CHIP C 0.010UF K	M1C1	
C125			CK73FB1H103K	CHIP C 0.010UF K	M2T1E1	
CN1			E40-4946-05	FLAT CABLE CONNECTOR		
CN2			E40-4740-05	SOCKET FOR PIN ASSY	M2T1E1	
CN3			E40-4743-05	SOCKET FOR PIN ASSY	M2T1E1	
CN101			E40-4297-05	FLAT CABLE CONNECTOR	M1C1	
J101, 102			E11-0366-05	PHONE JACK	M1C1	
E7			J19-3607-33	HOLDER		
E9			J11-0809-05	WIRE CLAMPER	KM1C1	
E9, 10			J11-0809-05	WIRE CLAMPER	M2T1E1	
E102			J11-0809-05	WIRE CLAMPER	M1C1	
R17, 18			RK73FB2A473J	CHIP R 47K J 1/10W		
R23			RK73FB2A151J	CHIP R 150 J 1/10W		
R29			RK73FB2A100J	CHIP R 10 J 1/10W		

L: Scandinavia K: USA P: Canada R: Mexico C: China I: Malaysia
 Y: PX(Far East, Hawaii) T: Europe E: Europe G: Germany V: China(Shanghai)
 Y: AAFES(Europe) X: Australia Q: Russia H: Korea M: Other Areas Δ indicates safety critical components.

* New Parts

Parts without **Parts No.** are not supplied.
 Les articles non mentionnés dans le **Parts No.** ne sont pas fournis.
 Teile ohne **Parts No.** werden nicht geliefert.

④

Ref. No	Add-ress	New Parts	Parts No.	Description	Desti-nation	Re-marks
R30			RK73FB2A105J	CHIP R 1.0M J 1/10W	M2T1E1	
R32			RK73FB2A101J	CHIP R 100 J 1/10W	M2T1E1	
R33			RK73FB2A105J	CHIP R 1.0M J 1/10W	M2T1E1	
R38, 39			RK73FB2A104J	CHIP R 100K J 1/10W	M2T1E1	
R52-54			RK73FB2A101J	CHIP R 100 J 1/10W	M2T1E1	
R55			RK73FB2A563J	CHIP R 56K J 1/10W	KM1C1	
R55, 56			RK73FB2A563J	CHIP R 56K J 1/10W	T1E1	
R56			RK73FB2A104J	CHIP R 100K J 1/10W	K	
R56			RK73FB2A123J	CHIP R 12K J 1/10W	C1	
R56			RK73FB2A273J	CHIP R 27K J 1/10W	M1	
R56			RK73FB2A563J	CHIP R 56K J 1/10W	M2	
R57			RK73FB2A473J	CHIP R 47K J 1/10W		
R59			RK73FB2A103J	CHIP R 10K J 1/10W		
R60			RK73FB2A105J	CHIP R 1.0M J 1/10W	M2T1E1	
R63			RK73FB2A101J	CHIP R 100 J 1/10W	M2T1E1	
R65, 66			RK73FB2A473J	CHIP R 47K J 1/10W		
R73			RK73FB2A102J	CHIP R 1.0K J 1/10W	M2T1E1	
R101, 102			RK73FB2A221J	CHIP R 220 J 1/10W	M1C1	
R103-106			RK73FB2A473J	CHIP R 47K J 1/10W	M1C1	
R107, 108			RK73FB2A561J	CHIP R 560 J 1/10W	M1C1	
R109, 110			RK73FB2A273J	CHIP R 27K J 1/10W	M1C1	
R111, 112			RK73FB2A102J	CHIP R 1.0K J 1/10W	M1C1	
R113, 114			RK73FB2A303J	CHIP R 30K J 1/10W	M1C1	
R115, 116			RK73FB2A512J	CHIP R 5.1K J 1/10W	M1C1	
R117, 118			RK73FB2A472J	CHIP R 4.7K J 1/10W	M1C1	
R120			RK73FB2A472J	CHIP R 4.7K J 1/10W	M1C1	
R121			RK73FB2A104J	CHIP R 100K J 1/10W	M1C1	
R122			RK73FB2A473J	CHIP R 47K J 1/10W	M1C1	
R123, 124			RK73FB2A103J	CHIP R 10K J 1/10W	M1C1	
R125, 126			RK73FB2A153J	CHIP R 15K J 1/10W	M1C1	
R127-129			RK73FB2A101J	CHIP R 100 J 1/10W	M1C1	
R130, 131			RK73FB2A473J	CHIP R 47K J 1/10W	M1C1	
W101			R92-0670-05	CHIP R 0 OHM	M1C1	
W115			R92-0670-05	CHIP R 0 OHM	M1C1	
S1-12			S70-0031-05	TACT SWITCH		
S13			S60-0036-05	ROTARY SWITCH		
D1			UDZ5.6B	ZENER DIODE		
DA4-6			DA204U	DIODE		
D101			DA204U	DIODE	M1C1	
D102			DAP202U	DIODE	M1C1	
ED1			16-ST-20GK	INDICATOR TUBE		
IC1			LC75712E	MOS-IC		
IC2			KAN06	CUSTOM IC	M2T1E1	
IC3			PCM1716E	MOS-IC	M2T1E1	
IC4, 5			NJM4580ED	ANALOGUE IC	M2T1E1	
IC6			TC74VHCU04F	MOS-IC	M2T1E1	
IC7			TC74HCT7007AF	IC(HEX BUFFER)	M2T1E1	
IC101			NJM4565M	IC(OP AMP X2)	M1C1	
IC102			TC9210P	MOS-IC	M1C1	
IC103			NJM4565M	IC(OP AMP X2)	M1C1	
Q1, 2			2SC1740S(Q,R)	TRANSISTOR		
Q1, 2			2SC2785(F,E)	TRANSISTOR		
Q101			2SC4081(R,S)	TRANSISTOR	M1C1	
Q103, 104			2SC4081(R,S)	TRANSISTOR	M1C1	

L: Scandinavia K: USA P: Canada R: Mexico C: China I: Malaysia
 Y: PX(Far East, Hawaii) T: Europe E: Europe G: Germany V: China(Shanghai)
 Y: AAFES(Europe) X: Australia Q: Russia H: Korea M: Other Areas Δ indicates safety critical components.

* New Parts

Parts without **Parts No.** are not supplied.
 Les articles non mentionnés dans le **Parts No.** ne sont pas fournis.
 Teile ohne **Parts No.** werden nicht geliefert.

5

Ref. No	Add-ress	New Parts	Parts No.	Description	Desti-nation	Re-marks
Q105			DTC124EUA	DIGITAL TRANSISTOR	M1C1	
A1			W02-2571-05	OPTIC RECEIVING MODULE		
CONTROL (X25-6160-13)						
C2			CK73FB1H103K	CHIP C 0.010UF K		
C4			CK45FB1H102K	CERAMIC 1000PF K		
C5			CE04KW1A470M	ELECTRO 47UF 10WV		
C6			CE04KW1C100M	ELECTRO 10UF 16WV		
C7			CE04KW1A221M	ELECTRO 220UF 10WV		
C10			CK73FB1H103K	CHIP C 0.010UF K		
C12			CK45FB1H102K	CERAMIC 1000PF K		
C13			CE04KW1A101M	ELECTRO 100UF 10WV		
C14			CE04KW1C100M	ELECTRO 10UF 16WV		
C15			CE04KW1A221M	ELECTRO 220UF 10WV		
C18			CK73FB1H103K	CHIP C 0.010UF K		
C20			CQ93FMG1H102J	MYLAR 1000PF J		
C21			CE04KW1A101M	ELECTRO 100UF 10WV		
C22			CE04KW1C100M	ELECTRO 10UF 16WV		
C23			CE04KW1A221M	ELECTRO 220UF 10WV		
C26			CK73FB1H103K	CHIP C 0.010UF K		
C28			CK45FB1H102K	CERAMIC 1000PF K		
C29			CE04KW1A101M	ELECTRO 100UF 10WV		
C30			CE04KW1C100M	ELECTRO 10UF 16WV		
C31			CE04KW1C221M	ELECTRO 220UF 16WV		
C34			CK73FB1H103K	CHIP C 0.010UF K		
C35			CE04KW1E470M	ELECTRO 47UF 25WV		
C36			CE04KW1E101M	ELECTRO 100UF 25WV		
C39			CK73FB1H103K	CHIP C 0.010UF K		
C40			CE04KW1E470M	ELECTRO 47UF 25WV		
C41			CE04KW1E101M	ELECTRO 100UF 25WV		
C43			CE04KW1E470M	ELECTRO 47UF 25WV		
C44			CQ93FMG1H224J	MYLAR 0.22UF J		
C45			CE04KW1A101M	ELECTRO 100UF 10WV		
C46			CQ93FMG1H103J	MYLAR 0.010UF J		
C47			CE04KW1A101M	ELECTRO 100UF 10WV		
C100			CK73FF1C105Z	CHIP C 1.0UF Z		
C107			CK73FB1H103K	CHIP C 0.010UF K		
C111			CE04KW1A471M	ELECTRO 470UF 10WV		
C112			CK73FB1H103K	CHIP C 0.010UF K	E1	
C112			CK73FB1H103K	CHIP C 0.010UF K	KM2T1	
C116			CC73FSL1H102J	CHIP C 1000PF J	E1	
C116			CC73FSL1H102J	CHIP C 1000PF J	KM2T1	
C200			CC73FSL1H100D	CHIP C 10PF D		
C201			CC73FSL1H470J	CHIP C 47PF J		
C202			CC73FSL1H680J	CHIP C 68PF J		
C203			CC73FSL1H050C	CHIP C 5.0PF C		
C205			CK73FB1E104K	CHIP C 0.10UF K		
C206			CE04KW1C100M	ELECTRO 10UF 16WV		
C207, 208			CC73FSL1H470J	CHIP C 47PF J		
C209			CC73FSL1H070D	CHIP C 7.0PF D		
C210			CC73FSL1H180J	CHIP C 18PF J		
C211			CC73FSL1H220J	CHIP C 22PF J		
C212			CC73FSL1H050C	CHIP C 5.0PF C		
C213			CC73FSL1H470J	CHIP C 47PF J		

L : Scandinavia K : USA P : Canada R : Mexico C : China I : Malaysia
 Y : PX(Far East, Hawaii) T : Europe E : Europe G : Germany V : China(Shanghai)
 Y : AAFES(Europe) X : Australia Q : Russia H : Korea M : Other Areas Δ indicates safety critical components.

* New Parts

Parts without **Parts No.** are not supplied.
 Les articles non mentionnés dans le **Parts No.** ne sont pas fournis.
 Teile ohne **Parts No.** werden nicht geliefert.

6

Ref. No	Add-ress	New Parts	Parts No.	Description	Desti-nation	Re-marks
C214			CC73FSL1H471J	CHIP C 470PF J		
C215			CK73FB1H103K	CHIP C 0.010UF K		
C216			CE04KW1E470M	ELECTRO 47UF 25WV		
C217			CK73FB1E104K	CHIP C 0.10UF K		
C218			CC73FSL1H151J	CHIP C 150PF J		
C219			CK73FB1H103K	CHIP C 0.010UF K		
C220			CE04KW1E470M	ELECTRO 47UF 25WV		
C221, 222			CE04KW1C100M	ELECTRO 10UF 16WV		
C223			CK73FB1H103K	CHIP C 0.010UF K		
C225, 226			CC73FSL1H470J	CHIP C 47PF J		
C250			CE04KW1E470M	ELECTRO 47UF 25WV		
C251			CC73FSL1H101J	CHIP C 100PF J		
C252			CE04KW1E101M	ELECTRO 100UF 25WV		
C253			CE04KW1E470M	ELECTRO 47UF 25WV		
C254			CC73FSL1H101J	CHIP C 100PF J		
C255			CE04KW1E101M	ELECTRO 100UF 25WV		
C256, 257			CK73FB1H103K	CHIP C 0.010UF K		
C258			CK73FB1E104K	CHIP C 0.10UF K		
C400, 401			CE04KW1V470M	ELECTRO 47UF 35WV		
C402-405			CC73FSL1H101J	CHIP C 100PF J		
C406, 407			CQ93FMG1H392J	MYLAR 3900PF J		
C408-410			CC73FSL1H101J	CHIP C 100PF J		
C411			CK73FB1H103K	CHIP C 0.010UF K		
C412-415			CC73FSL1H101J	CHIP C 100PF J		
C416			CK73FB1H103K	CHIP C 0.010UF K		
C417, 418			CC73FSL1H101J	CHIP C 100PF J		
C419			CK73FB1H103K	CHIP C 0.010UF K		
C420, 421			CE04KW1E221M	ELECTRO 220UF 25WV		
C422, 423			CC73FSL1H471J	CHIP C 470PF J		
C424, 425			CC73FSL1H220J	CHIP C 22PF J	M1M2C1	
C424, 425			CC73FSL1H220J	CHIP C 22PF J	T1E1	
C426, 427			CE04KW1A221M	ELECTRO 220UF 10WV	M1M2C1	
C426, 427			CE04KW1A221M	ELECTRO 220UF 10WV	T1E1	
C428, 429			CC73FSL1H471J	CHIP C 470PF J	M1M2C1	
C428, 429			CC73FSL1H471J	CHIP C 470PF J	T1E1	
C450, 451			CE04KW1V470M	ELECTRO 47UF 35WV	M1M2C1	
C450, 451			CE04KW1V470M	ELECTRO 47UF 35WV	T1E1	
C452, 453			CC45FSL1H221J	CERAMIC 220PF J	M1M2C1	
C452, 453			CC45FSL1H221J	CERAMIC 220PF J	T1E1	
C454, 455			CC73FSL1H101J	CHIP C 100PF J	M1M2C1	
C454, 455			CC73FSL1H101J	CHIP C 100PF J	T1E1	
C456			CK73FB1H103K	CHIP C 0.010UF K	M1M2C1	
C456			CK73FB1H103K	CHIP C 0.010UF K	T1E1	
C457			CC73FSL1H101J	CHIP C 100PF J	M1M2C1	
C457			CC73FSL1H101J	CHIP C 100PF J	T1E1	
C458-461			CE04KW1C100M	ELECTRO 10UF 16WV	M1M2C1	
C458-461			CE04KW1C100M	ELECTRO 10UF 16WV	T1E1	
C462-465			CC73FSL1H101J	CHIP C 100PF J	M1M2C1	
C462-465			CC73FSL1H101J	CHIP C 100PF J	T1E1	
C466, 467			CE04KW1A221M	ELECTRO 220UF 10WV	M1M2C1	
C466, 467			CE04KW1A221M	ELECTRO 220UF 10WV	T1E1	
C468, 469			CC73FSL1H471J	CHIP C 470PF J	M1M2C1	
C468, 469			CC73FSL1H471J	CHIP C 470PF J	T1E1	
C470, 471			CE04KW1V470M	ELECTRO 47UF 35WV	M1M2C1	
C470, 471			CE04KW1V470M	ELECTRO 47UF 35WV	T1E1	

L : Scandinavia K : USA P : Canada R : Mexico C : China I : Malaysia
 Y : PX(Far East, Hawaii) T : Europe E : Europe G : Germany V : China(Shanghai)
 Y : AAFES(Europe) X : Australia Q : Russia H : Korea M : Other Areas Δ indicates safety critical components.

PARTS LIST

DV-K751/S701

* New Parts

Parts without **Parts No.** are not supplied.Les articles non mentionnés dans le **Parts No.** ne sont pas fournis.Teile ohne **Parts No.** werden nicht geliefert.

Ref. No	Address	New Parts	Parts No.	Description	Destination	Remarks
C472, 473			CC45FSL1H221J	CERAMIC 220PF J	M1M2C1	
C472, 473			CC45FSL1H221J	CERAMIC 220PF J	T1E1	
C474, 475			CC73FSL1H101J	CHIP C 100PF J	M1M2C1	
C474, 475			CC73FSL1H101J	CHIP C 100PF J	T1E1	
C476			CK73FB1H103K	CHIP C 0.010UF K	M1M2C1	
C476			CK73FB1H103K	CHIP C 0.010UF K	T1E1	
C477			CC73FSL1H101J	CHIP C 100PF J	M1M2C1	
C477			CC73FSL1H101J	CHIP C 100PF J	T1E1	
C478-481			CE04KW1C100M	ELECTRO 10UF 16WV	M1M2C1	
C478-481			CE04KW1C100M	ELECTRO 10UF 16WV	T1E1	
C482-485			CC73FSL1H101J	CHIP C 100PF J	M1M2C1	
C482-485			CC73FSL1H101J	CHIP C 100PF J	T1E1	
C486			CK73FB1H103K	CHIP C 0.010UF K	M1M2C1	
C486			CK73FB1H103K	CHIP C 0.010UF K	T1E1	
C487			CC73FSL1H101J	CHIP C 100PF J	M1M2C1	
C487			CC73FSL1H101J	CHIP C 100PF J	T1E1	
C488, 489			CE04KW1A221M	ELECTRO 220UF 10WV	M1M2C1	
C488, 489			CE04KW1A221M	ELECTRO 220UF 10WV	T1E1	
C490, 491			CC73FSL1H471J	CHIP C 470PF J	M1M2C1	
C495, 496			CC73FSL1H101J	CHIP C 100PF J	M1M2C1	
C495, 496			CC73FSL1H101J	CHIP C 100PF J	T1E1	
C497, 498			CC73FSL1H331J	CHIP C 330PF J	M1M2C1	
C497, 498			CC73FSL1H331J	CHIP C 330PF J	T1E1	
C499, 500			CC73FSL1H101J	CHIP C 100PF J	M1M2C1	
C499, 500			CC73FSL1H101J	CHIP C 100PF J	T1E1	
C501			CK73FB1H103K	CHIP C 0.010UF K	M1M2C1	
C501			CK73FB1H103K	CHIP C 0.010UF K	T1E1	
C502			CC73FSL1H101J	CHIP C 100PF J	M1M2C1	
C502			CC73FSL1H101J	CHIP C 100PF J	T1E1	
C503			CE04KW1V220M	ELECTRO 22UF 35WV	M1M2C1	
C503			CE04KW1V220M	ELECTRO 22UF 35WV	T1E1	
C504			CE04KW1C331M	ELECTRO 330UF 16WV	M1M2C1	
C506			CE04KW1V220M	ELECTRO 22UF 35WV	M1M2C1	
C506			CE04KW1V220M	ELECTRO 22UF 35WV	T1E1	
C508			CK73FB1H103K	CHIP C 0.010UF K	M1M2C1	
C510			CK73FB1E104K	CHIP C 0.10UF K	M1M2C1	
C510			CK73FB1E104K	CHIP C 0.10UF K	T1E1	
C511			CE04KW1V220M	ELECTRO 22UF 35WV	M1M2C1	
C511			CE04KW1V220M	ELECTRO 22UF 35WV	T1E1	
C512			CE04KW1C331M	ELECTRO 330UF 16WV	M1M2C1	
C512			CE04KW1C331M	ELECTRO 330UF 16WV	T1E1	
C514			CE04KW1V220M	ELECTRO 22UF 35WV	M1M2C1	
C514			CE04KW1V220M	ELECTRO 22UF 35WV	T1E1	
C516			CK73FB1H103K	CHIP C 0.010UF K	M1M2C1	
C516			CK73FB1H103K	CHIP C 0.010UF K	T1E1	
C518			CK73FB1E104K	CHIP C 0.10UF K	M1M2C1	
C518			CK73FB1E104K	CHIP C 0.10UF K	T1E1	
C519			CE04KW1V220M	ELECTRO 22UF 35WV	M1M2C1	
C519			CE04KW1V220M	ELECTRO 22UF 35WV	T1E1	
C520			CE04KW1C331M	ELECTRO 330UF 16WV	M1M2C1	
C520			CE04KW1C331M	ELECTRO 330UF 16WV	T1E1	
C525			CK73FB1E683KTA	CHIP C 0.068UF K	M1C1	
C526, 527			CQ93FMG1H393J	MYLAR 0.039UF J	M1M2C1	
C528-531			CQ93FMG1H222J	MYLAR 2200PF J	M1M2C1	
C528-531			CQ93FMG1H222J	MYLAR 2200PF J	T1E1	
C532			CK73FB1H103K	CHIP C 0.010UF K	M1M2C1	
C532			CK73FB1H103K	CHIP C 0.010UF K	T1E1	

L: Scandinavia K: USA P: Canada R: Mexico C: China I: Malaysia
Y: PX(Far East, Hawaii) T: Europe E: Europe G: Germany V: China(Shanghai)
Y: AAFES(Europe) X: Australia Q: Russia H: Korea M: Other Areas Δ indicates safety critical components.

* New Parts

Parts without **Parts No.** are not supplied.Les articles non mentionnés dans le **Parts No.** ne sont pas fournis.Teile ohne **Parts No.** werden nicht geliefert.

Ref. No	Address	New Parts	Parts No.	Description	Destination	Remarks
C533			CC73FSL1H101J	CHIP C 100PF J	M1M2C1	
C533			CC73FSL1H101J	CHIP C 100PF J	T1E1	
C535			CK73FB1H103K	CHIP C 0.010UF K	M1M2C1	
C535			CK73FB1H103K	CHIP C 0.010UF K	T1E1	
C537			CE04KW1V220M	ELECTRO 22UF 35WV	M1M2C1	
C537			CE04KW1V220M	ELECTRO 22UF 35WV	T1E1	
C539			CK73FB1E104K	CHIP C 0.10UF K	M1M2C1	
C542			CE04KW1V4R7M	ELECTRO 4.7UF 35WV	M1C1	
C543			CC73FSL1H390J	CHIP C 39PF J	M1C1	
C545, 546			CC73FSL1H561J	CHIP C 560PF J	M1M2C1	
C545, 546			CC73FSL1H561J	CHIP C 560PF J	T1E1	
C548, 549			CC73FSL1H561J	CHIP C 560PF J	M1M2C1	
C548, 549			CC73FSL1H561J	CHIP C 560PF J	T1E1	
C551, 552			CC73FSL1H561J	CHIP C 560PF J	M1M2C1	
C551, 552			CC73FSL1H561J	CHIP C 560PF J	T1E1	
C553, 554			CC73FSL1H102J	CHIP C 1000PF J	M1M2C1	
C553, 554			CC73FSL1H102J	CHIP C 1000PF J	T1E1	
C555			CC73FSL1H050C	CHIP C 5.0PF C	M1M2C1	
C556			CK73FB1H103K	CHIP C 0.010UF K	M1M2C1	
C559-562			CC73FSL1H101J	CHIP C 100PF J	M1M2C1	
C559-562			CC73FSL1H101J	CHIP C 100PF J	T1E1	
C559-576			CC73FSL1H101J	CHIP C 100PF J	M1M2C1	
C559-576			CC73FSL1H101J	CHIP C 100PF J	T1E1	
C571-574			CC73FSL1H101J	CHIP C 100PF J	M1M2C1	
C571-574			CC73FSL1H101J	CHIP C 100PF J	T1E1	
C578, 579			CC73FSL1H101J	CHIP C 100PF J	M1M2C1	
C578, 579			CC73FSL1H101J	CHIP C 100PF J	T1E1	
C600			CK73FB1E104K	CHIP C 0.10UF K	M1M2C1	
C601			CC73FSL1H100D	CHIP C 10PF D	M1M2C1	
C601			CC73FSL1H100D	CHIP C 10PF D	T1E1	
C602			CK73FB1E104K	CHIP C 0.10UF K	M1M2C1	
C603, 604			CC73FSL1H221J	CHIP C 220PF J	M1M2C1	
C603, 604			CC73FSL1H221J	CHIP C 220PF J	T1E1	
CN3			E40-4908-05	FLAT CABLE CONNECTOR	M1M2C1	
CN4			E40-8296-05	PIN ASSY	M1M2C1	
CN5			E40-8297-05	PIN ASSY	M1M2C1	
CN6			E40-8298-05	PIN ASSY	M1M2C1	
CN8			E40-3252-05	PIN ASSY	M1C1	
CN9			E40-4737-05	PIN ASSY	M2T1E1	
CN10			E40-4744-05	PIN ASSY	M2T1E1	
J1			E11-0188-05	MINIATURE PHONE JACK(2P)	M1M2C1	
J2			E63-1052-05	PHONO JACK	M1M2C1	
J3			E63-0122-05	PHONO JACK	M1M2C1	
J3, 4			E63-0122-05	PHONO JACK	T1E1	
J5			E63-1064-05	PHONO JACK	K	
J5			E63-1064-05	PHONO JACK	M1M2C1	
J6			E63-0128-05	PHONO JACK	T1E1	
J9			E56-0014-05	CYLINDRICAL RECEPTACLE	M1M2C1	
E1			J11-0809-05	WIRE CLAMPER	E1	
E1			J11-0809-05	WIRE CLAMPER	KM2T1	
E1, 2			J11-0809-05	WIRE CLAMPER	M1C1	
L195-197			L92-0131-05	FERRITE CORE	M1C1	
L195-198			L92-0131-05	FERRITE CORE	E1	
L195-198			L92-0131-05	FERRITE CORE	KM2T1	
L199		*	L40-2291-58	SMALL FIXED INDUCTOR(2.2UH,K)	M1M2C1	
L200			L40-6891-58	SMALL FIXED INDUCTOR(6.8UH,K)	M1M2C1	
L201			L40-1501-58	SMALL FIXED INDUCTOR(15UH,K)	M1M2C1	
L202			L40-6891-58	SMALL FIXED INDUCTOR(6.8UH,K)	M1M2C1	

L: Scandinavia K: USA P: Canada R: Mexico C: China I: Malaysia
Y: PX(Far East, Hawaii) T: Europe E: Europe G: Germany V: China(Shanghai)
Y: AAFES(Europe) X: Australia Q: Russia H: Korea M: Other Areas Δ indicates safety critical components.

* New Parts

Parts without **Parts No.** are not supplied.

Les articles non mentionnés dans le **Parts No.** ne sont pas fournis.

Teile ohne **Parts No.** werden nicht geliefert.

9

Ref. No	Add-ress	New Parts	Parts No.	Description	Desti-nation	Re-marks
L203			L40-2201-58	SMALL FIXED INDUCTOR(22UH,K)		
L204			L40-1001-58	SMALL FIXED INDUCTOR(10UH,K)		
L210			L92-0131-05	FERRITE CORE		
L211			L40-1001-58	SMALL FIXED INDUCTOR(10UH,K)		
X1			L78-0678-05	RESONATOR (16MHZ)		
R1			RK73FB2A472J	CHIP R 4.7K J 1/10W		
R3			RK73FB2A561J	CHIP R 560 J 1/10W		
R4			RS14KB3A1R0JTE	FL-PROOF RS 1 J 1W		
R5			RK73FB2A222J	CHIP R 2.2K J 1/10W		
R6			RK73FB2A821J	CHIP R 820 J 1/10W		
R7, 8			R92-1860-05	METAL GLAZE 1.50K F 1/10W		
R9			RK73FB2A391J	CHIP R 390 J 1/10W		
R11			RK73FB2A561J	CHIP R 560 J 1/10W		
R12			RS14KB3AR22J	FL-PROOF RS 0.22 J 1W		
R13			RK73FB2A222J	CHIP R 2.2K J 1/10W		
R14			RK73FB2A391J	CHIP R 390 J 1/10W		
R15			R92-1880-05	METAL GLAZE 15K F 1/10W		
R16			R92-1881-05	METAL GLAZE 5.6K F 1/10W		
R17			RK73FB2A331J	CHIP R 330 J 1/10W		
R18			RK73FB2A222J	CHIP R 2.2K J 1/10W		
R19			RK73FB2A101J	CHIP R 100 J 1/10W		
R20			RK73FB2A222J	CHIP R 2.2K J 1/10W		
R21			RK73FB2A331J	CHIP R 330 J 1/10W		
R22			RK73FB2A101J	CHIP R 100 J 1/10W		
R23			RK73FB2A473J	CHIP R 47K J 1/10W		
R24			RK73FB2A182J	CHIP R 1.8K J 1/10W		
R25, 26			RK73FB2A152J	CHIP R 1.5K J 1/10W		
R27			RK73FB2A472J	CHIP R 4.7K J 1/10W		
R28			RK73FB2A561J	CHIP R 560 J 1/10W		
R30			RS14KB3DR22J	FL-PROOF RS 0.22 J 2W		
R31			RK73FB2A222J	CHIP R 2.2K J 1/10W		
R32			RK73FB2A821J	CHIP R 820 J 1/10W		
R33			R92-1762-05	METAL GLAZE 4.7K F 1/10W		
R34			R92-1860-05	METAL GLAZE 1.50K F 1/10W		
R35			RK73FB2A472J	CHIP R 4.7K J 1/10W		
R37			RK73FB2A561J	CHIP R 560 J 1/10W		
R38			RS14KB3A1R0JTE	FL-PROOF RS 1 J 1W		
R39			RK73FB2A222J	CHIP R 2.2K J 1/10W		
R40			RK73FB2A821J	CHIP R 820 J 1/10W		
R41			R92-1860-05	METAL GLAZE 1.50K F 1/10W		
R42			R92-1861-05	METAL GLAZE 1.62K F 1/10W		
R43			RK73FB2A1R0J	CHIP R 1 J 1/10W		
R44			RK73FB2A472J	CHIP R 4.7K J 1/10W		
R45			RK73FB2A103J	CHIP R 10K J 1/10W		
R46, 47			RK73FB2A2R2J	CHIP R 2.2 J 1/10W		
R48			RK73FB2A1R0J	CHIP R 1 J 1/10W		
R49, 50			RK73FB2A2R2J	CHIP R 2.2 J 1/10W		
R100			RK73FB2A101J	CHIP R 100 J 1/10W	E1	
R100			RK73FB2A101J	CHIP R 100 J 1/10W	KM2T1	
R111~113			RK73FB2A221J	CHIP R 220 J 1/10W		
R116			RK73FB2A102J	CHIP R 1.0K J 1/10W		
R116~121			RK73FB2A101J	CHIP R 100 J 1/10W	M2T1E1	
R117			RK73FB2A101J	CHIP R 100 J 1/10W	K	
R117~121			RK73FB2A101J	CHIP R 100 J 1/10W	M1C1	
R120, 121			RK73FB2A101J	CHIP R 100 J 1/10W	K	

L : Scandinavia

K : USA

P : Canada

R : Mexico

C : China

I : Malaysia

Y : PX(Far East, Hawaii)

T : Europe

E : Europe

G : Germany

V : China(Shanghai)

Y : AAFES(Europe)

X : Australia

Q : Russia

H : Korea

M : Other Areas

Δ indicates safety critical components.

* New Parts

Parts without **Parts No.** are not supplied.

Les articles non mentionnés dans le **Parts No.** ne sont pas fournis.

Teile ohne **Parts No.** werden nicht geliefert.

10

Ref. No	Add-ress	New Parts	Parts No.	Description	Desti-nation	Re-marks
R122			RK73FB2A471J	CHIP R 470 J 1/10W		
R123			RK73FB2A331J	CHIP R 330 J 1/10W		
R124			RK73FB2A471J	CHIP R 470 J 1/10W		
R126~128			RK73FB2A471J	CHIP R 470 J 1/10W		
R129			RK73FB2A101J	CHIP R 100 J 1/10W	E1	
R129			RK73FB2A101J	CHIP R 100 J 1/10W		KM2T1
R129~134			RK73FB2A101J	CHIP R 100 J 1/10W		M1C1
R137~140			RK73FB2A102J	CHIP R 1.0K J 1/10W		E1
R137~140			RK73FB2A102J	CHIP R 1.0K J 1/10W		KM2T1
R141			RK73FB2A101J	CHIP R 100 J 1/10W		
R142			RK73FB2A473J	CHIP R 47K J 1/10W		
R144, 145			RK73FB2A473J	CHIP R 47K J 1/10W		
R146			RK73FB2A223J	CHIP R 22K J 1/10W		
R147			RK73FB2A473J	CHIP R 47K J 1/10W		M1C1
R147, 148			RK73FB2A473J	CHIP R 47K J 1/10W		E1
R147, 148			RK73FB2A473J	CHIP R 47K J 1/10W		KM2T1
R149, 150			RK73FB2A473J	CHIP R 47K J 1/10W		M1C1
R150			RK73FB2A473J	CHIP R 47K J 1/10W		E1
R150			RK73FB2A473J	CHIP R 47K J 1/10W		KM2T1
R151			RK73FB2A105J	CHIP R 1.0M J 1/10W		
R152, 153			RK73FB2A473J	CHIP R 47K J 1/10W		
R155			RK73FB2A473J	CHIP R 47K J 1/10W		
R157			RK73FB2A473J	CHIP R 47K J 1/10W		
R159			RK73FB2A473J	CHIP R 47K J 1/10W		
R161~166			RK73FB2A473J	CHIP R 47K J 1/10W		
R170			RK73FB2A563J	CHIP R 56K J 1/10W		M1C1
R171			RK73FB2A563J	CHIP R 56K J 1/10W		E1
R171			RK73FB2A563J	CHIP R 56K J 1/10W		KM2T1
R174			RK73FB2A473J	CHIP R 47K J 1/10W		
R180			RK73FB2A473J	CHIP R 47K J 1/10W		
R185~188			RK73FB2A473J	CHIP R 47K J 1/10W		
R189			RK73FB2A223J	CHIP R 22K J 1/10W		
R190			RK73FB2A473J	CHIP R 47K J 1/10W		
R191			RK73FB2A104J	CHIP R 100K J 1/10W		
R192			RK73FB2A331J	CHIP R 330 J 1/10W		
R193, 194			RK73FB2A104J	CHIP R 100K J 1/10W		
R195			RK73FB2A331J	CHIP R 330 J 1/10W		
R196			RK73FB2A104J	CHIP R 100K J 1/10W		
R198			RK73FB2A473J	CHIP R 47K J 1/10W		
R199			RK73FB2A102J	CHIP R 1.0K J 1/10W		M1C1
R200			RK73FB2A561J	CHIP R 560 J 1/10W		
R201			RK73FB2A562J	CHIP R 5.6K J 1/10W		
R202			RK73FB2A392J	CHIP R 3.9K J 1/10W		
R203			RK73FB2A331J	CHIP R 330 J 1/10W		
R204			RK73FB2A122J	CHIP R 1.2K J 1/10W		
R205			RK73FB2A472J	CHIP R 4.7K J 1/10W		
R206			RK73FB2A101J	CHIP R 100 J 1/10W		
R207, 208			RK73FB2A391J	CHIP R 390 J 1/10W		
R209			RK73FB2A392J	CHIP R 3.9K J 1/10W		
R210			RK73FB2A472J	CHIP R 4.7K J 1/10W		
R211			RK73FB2A392J	CHIP R 3.9K J 1/10W		
R212			R92-1915-05	METAL GLAZE 4.12K F 1/10W		
R213			RK73FB2A561J	CHIP R 560 J 1/10W		
R214			RK73FB2A101J	CHIP R 100 J 1/10W		
R215			RK73FB2A472J	CHIP R 4.7K J 1/10W		

L : Scandinavia

K : USA

P : Canada

R : Mexico

C : China

I : Malaysia

Y : PX(Far East, Hawaii)

T : Europe

E : Europe

G : Germany

V : China(Shanghai)

Y : AAFES(Europe)

X : Australia

Q : Russia

H : Korea

M : Other Areas

Δ indicates safety critical components.

PARTS LIST

DV-K751/S701

* New Parts

Parts without **Parts No.** are not supplied.Les articles non mentionnés dans le **Parts No.** ne sont pas fournis.Teile ohne **Parts No.** werden nicht geliefert.

①

Ref. No	Add-ress	New Parts	Parts No.	Description	Desti-nation	Re-marks
R216			RK73FB2A103J	CHIP R 10K J 1/10W		
R217			RK73FB2A101J	CHIP R 100 J 1/10W		
R218			RK73FB2A222J	CHIP R 2.2K J 1/10W		
R219			RK73FB2A101J	CHIP R 100 J 1/10W		
R220			RK73FB2A102J	CHIP R 1.0K J 1/10W		
R221			RK73FB2A101J	CHIP R 100 J 1/10W		
R222, 223			RK73FB2A680J	CHIP R 68 J 1/10W		
R224			RK73FB2A561J	CHIP R 560 J 1/10W		
R225			RK73FB2A100J	CHIP R 10 J 1/10W		
R226			RK73FB2A392J	CHIP R 3.9K J 1/10W		
R227			RK73FB2A471J	CHIP R 470 J 1/10W		
R228			RK73FB2A472J	CHIP R 4.7K J 1/10W		
R229			RK73FB2A104J	CHIP R 100K J 1/10W		
R230			RK73FB2A472J	CHIP R 4.7K J 1/10W		
R231			RK73FB2A103J	CHIP R 10K J 1/10W		
R232			RK73FB2A101J	CHIP R 100 J 1/10W		
R233			RK73FB2A222J	CHIP R 2.2K J 1/10W		
R234			RK73FB2A102J	CHIP R 1.0K J 1/10W		
R235, 236			RK73FB2A101J	CHIP R 100 J 1/10W		
R237			RK73FB2A680J	CHIP R 68 J 1/10W		
R239			RK73FB2A680J	CHIP R 68 J 1/10W		
R281			RK73FB2A472J	CHIP R 4.7K J 1/10W		
R282			RK73FB2A332J	CHIP R 3.3K J 1/10W		
R283			RK73FB2A273J	CHIP R 27K J 1/10W		
R284			RK73FB2A224J	CHIP R 220K J 1/10W		
R285			RK73FB2A683J	CHIP R 68K J 1/10W		
R286			RK73FB2A563J	CHIP R 56K J 1/10W		
R287			RK73FB2A224J	CHIP R 220K J 1/10W		
R288			RK73FB2A102J	CHIP R 1.0K J 1/10W		
R289			RK73FB2A222J	CHIP R 2.2K J 1/10W		
R290			RK73FB2A102J	CHIP R 1.0K J 1/10W		
R291			RK73FB2A222J	CHIP R 2.2K J 1/10W		
R292-295			RK73FB2A472J	CHIP R 4.7K J 1/10W		
R296			RK73FB2A272J	CHIP R 2.7K J 1/10W		
R297			RK73FB2A101J	CHIP R 100 J 1/10W		
R298			RK73FB2A272J	CHIP R 2.7K J 1/10W		
R299			RK73FB2A101J	CHIP R 100 J 1/10W		
R307, 308			RK73FB2A1R0J	CHIP R 1 J 1/10W		
R311			RK73FB2A103J	CHIP R 10K J 1/10W		
R312			RK73FB2A822J	CHIP R 8.2K J 1/10W		
R402, 403			RK73FB2A752J	CHIP R 7.5K J 1/10W		
R404, 405			RK73FB2A153J	CHIP R 15K J 1/10W		
R406-411			RK73FB2A221J	CHIP R 220 J 1/10W		
R412, 413			RK73FB2A470J	CHIP R 47 J 1/10W		
R414, 415			RK73FB2A104J	CHIP R 100K J 1/10W		
R416, 417			RK73FB2A470J	CHIP R 47 J 1/10W		
R418, 419			RK73FB2A104J	CHIP R 100K J 1/10W		
R420, 421			RK73FB2A470J	CHIP R 47 J 1/10W		
R422, 423			RK73FB2A104J	CHIP R 100K J 1/10W		
R424-429			RK73FB2A181J	CHIP R 180 J 1/10W		
R432, 433			RK73FB2A122J	CHIP R 1.2K J 1/10W		
R432, 433			RK73FB2A751J	CHIP R 750 J 1/10W		
R432, 433			RK73FB2A751J	CHIP R 750 J 1/10W		
R434, 435			RK73FB2A104J	CHIP R 100K J 1/10W		
R434, 435			RK73FB2A104J	CHIP R 100K J 1/10W		

L : Scandinavia K : USA P : Canada R : Mexico C : China I : Malaysia
 Y : PX(Far East, Hawaii) T : Europe E : Europe G : Germany V : China(Shanghai)
 Y : AAFES(Europe) X : Australia Q : Russia H : Korea M : Other Areas Δ indicates safety critical components.

* New Parts

Parts without **Parts No.** are not supplied.Les articles non mentionnés dans le **Parts No.** ne sont pas fournis.Teile ohne **Parts No.** werden nicht geliefert.

②

Ref. No	Add-ress	New Parts	Parts No.	Description	Desti-nation	Re-marks
R436-441			RK73FB2A181J	CHIP R 180 J 1/10W	M1M2C1	
R436-441			RK73FB2A181J	CHIP R 180 J 1/10W	T1E1	
R442, 443			RK73FB2A751J	CHIP R 750 J 1/10W	M1M2C1	
R442, 443			RK73FB2A751J	CHIP R 750 J 1/10W	T1E1	
R446, 447			RK73FB2A362J	CHIP R 3.6K J 1/10W	M1M2C1	
R446, 447			RK73FB2A362J	CHIP R 3.6K J 1/10W	T1E1	
R448-451			RK73FB2A392J	CHIP R 3.9K J 1/10W	M1M2C1	
R448-451			RK73FB2A392J	CHIP R 3.9K J 1/10W	T1E1	
R452, 453			RK73FB2A470J	CHIP R 47 J 1/10W	M1M2C1	
R452, 453			RK73FB2A470J	CHIP R 47 J 1/10W	T1E1	
R454, 455			RK73FB2A222J	CHIP R 2.2K J 1/10W	M1M2C1	
R454, 455			RK73FB2A222J	CHIP R 2.2K J 1/10W	T1E1	
R456, 457			RK73FB2A512J	CHIP R 5.1K J 1/10W	M1M2C1	
R456, 457			RK73FB2A512J	CHIP R 5.1K J 1/10W	T1E1	
R458, 459			RK73FB2A183J	CHIP R 18K J 1/10W	M1M2C1	
R458, 459			RK73FB2A183J	CHIP R 18K J 1/10W	T1E1	
R460, 461			RK73FB2A470J	CHIP R 47 J 1/10W	M1M2C1	
R460, 461			RK73FB2A470J	CHIP R 47 J 1/10W	T1E1	
R462, 463			RK73FB2A104J	CHIP R 100K J 1/10W	M1M2C1	
R462, 463			RK73FB2A104J	CHIP R 100K J 1/10W	T1E1	
R464-469			RK73FB2A181J	CHIP R 180 J 1/10W	M1M2C1	
R464-469			RK73FB2A181J	CHIP R 180 J 1/10W	T1E1	
R470, 471			RK73FB2A751J	CHIP R 750 J 1/10W	M1M2C1	
R470, 471			RK73FB2A751J	CHIP R 750 J 1/10W	T1E1	
R472-475			RK73FB2A102J	CHIP R 1.0K J 1/10W	M1M2C1	
R472-475			RK73FB2A102J	CHIP R 1.0K J 1/10W	T1E1	
R478, 479			RK73FB2A362J	CHIP R 3.6K J 1/10W	M1M2C1	
R478, 479			RK73FB2A362J	CHIP R 3.6K J 1/10W	T1E1	
R480-483			RK73FB2A392J	CHIP R 3.9K J 1/10W	M1M2C1	
R480-483			RK73FB2A392J	CHIP R 3.9K J 1/10W	T1E1	
R484, 485			RK73FB2A470J	CHIP R 47 J 1/10W	M1M2C1	
R484, 485			RK73FB2A470J	CHIP R 47 J 1/10W	T1E1	
R486, 487			RK73FB2A222J	CHIP R 2.2K J 1/10W	M1M2C1	
R486, 487			RK73FB2A222J	CHIP R 2.2K J 1/10W	T1E1	
R488, 489			RK73FB2A512J	CHIP R 5.1K J 1/10W	M1M2C1	
R488, 489			RK73FB2A512J	CHIP R 5.1K J 1/10W	T1E1	
R490, 491			RK73FB2A183J	CHIP R 18K J 1/10W	M1M2C1	
R490, 491			RK73FB2A183J	CHIP R 18K J 1/10W	T1E1	
R492, 493			RK73FB2A470J	CHIP R 47 J 1/10W	M1M2C1	
R492, 493			RK73FB2A470J	CHIP R 47 J 1/10W	T1E1	
R494, 495			RK73FB2A104J	CHIP R 100K J 1/10W	M1M2C1	
R494, 495			RK73FB2A104J	CHIP R 100K J 1/10W	T1E1	
R496, 497			RK73FB2A181J	CHIP R 180 J 1/10W	M1M2C1	
R496, 497			RK73FB2A181J	CHIP R 180 J 1/10W	T1E1	
R498, 499			RK73FB2A102J	CHIP R 1.0K J 1/10W	M1M2C1	
R498, 499			RK73FB2A102J	CHIP R 1.0K J 1/10W	T1E1	
R500-503			RK73FB2A181J	CHIP R 180 J 1/10W	M1M2C1	
R500-503			RK73FB2A181J	CHIP R 180 J 1/10W	T1E1	
R502, 503			RK73FB2A181J	CHIP R 180 J 1/10W	K	
R504, 505			RK73FB2A102J	CHIP R 1.0K J 1/10W	M1M2C1	
R504, 505			RK73FB2A102J	CHIP R 1.0K J 1/10W	T1E1	
R506, 507			RK73FB2A122J	CHIP R 1.2K J 1/10W	K	
R506, 507			RK73FB2A751J	CHIP R 750 J 1/10W	M1M2C1	
R506, 507			RK73FB2A751J	CHIP R 750 J 1/10W	T1E1	
R508, 509			RK73FB2A302J	CHIP R 3.0K J 1/10W	M1M2C1	

L : Scandinavia K : USA P : Canada R : Mexico C : China I : Malaysia
 Y : PX(Far East, Hawaii) T : Europe E : Europe G : Germany V : China(Shanghai)
 Y : AAFES(Europe) X : Australia Q : Russia H : Korea M : Other Areas Δ indicates safety critical components.

* New Parts

Parts without **Parts No.** are not supplied.
Les articles non mentionnés dans le **Parts No.** ne sont pas fournis.
Teile ohne **Parts No.** werden nicht geliefert.

13

Ref. No	Add-ress	New Parts	Parts No.	Description	Desti-nation	Re-marks
R508, 509			RK73FB2A302J	CHIP R 3.0K J 1/10W	T1E1	
R510, 511			RK73FB2A222J	CHIP R 2.2K J 1/10W	M1M2C1	
R510, 511			RK73FB2A222J	CHIP R 2.2K J 1/10W	T1E1	
R512, 513			RK73FB2A302J	CHIP R 3.0K J 1/10W	M1M2C1	
R512, 513			RK73FB2A302J	CHIP R 3.0K J 1/10W	T1E1	
R514			RK73FB2A222J	CHIP R 2.2K J 1/10W	M1M2C1	
R514			RK73FB2A222J	CHIP R 2.2K J 1/10W	T1E1	
R515			RK73FB2A302J	CHIP R 3.0K J 1/10W	M1M2C1	
R515			RK73FB2A302J	CHIP R 3.0K J 1/10W	T1E1	
R516			RK73FB2A222J	CHIP R 2.2K J 1/10W	M1M2C1	
R516			RK73FB2A222J	CHIP R 2.2K J 1/10W	T1E1	
R519			RK73FB2A222J	CHIP R 2.2K J 1/10W	M1M2C1	
R519			RK73FB2A222J	CHIP R 2.2K J 1/10W	T1E1	
R520			RK73FB2A302J	CHIP R 3.0K J 1/10W	M1M2C1	
R520			RK73FB2A302J	CHIP R 3.0K J 1/10W	T1E1	
R521			RK73FB2A222J	CHIP R 2.2K J 1/10W	M1M2C1	
R521			RK73FB2A222J	CHIP R 2.2K J 1/10W	T1E1	
R522, 523			RK73FB2A302J	CHIP R 3.0K J 1/10W	M1M2C1	
R522, 523			RK73FB2A302J	CHIP R 3.0K J 1/10W	T1E1	
R524, 525			RK73FB2A470J	CHIP R 47 J 1/10W	M1M2C1	
R524, 525			RK73FB2A470J	CHIP R 47 J 1/10W	T1E1	
R526			RK73FB2A223J	CHIP R 22K J 1/10W	M1C1	
R527			RK73FB2A394J	CHIP R 390K J 1/10W	M1C1	
R528			RK73FB2A683J	CHIP R 68K J 1/10W	M1C1	
R529			RK73FB2A512J	CHIP R 5.1K J 1/10W	M1C1	
R530			RK73FB2A563J	CHIP R 56K J 1/10W	M1C1	
R531			RK73FB2A103J	CHIP R 10K J 1/10W	M1C1	
R532			RK73FB2A222J	CHIP R 2.2K J 1/10W	M1C1	
R533			RK73FB2A103J	CHIP R 10K J 1/10W	M1C1	
R534			RK73FB2A101J	CHIP R 100 J 1/10W	M1M2C1	
R534			RK73FB2A101J	CHIP R 100 J 1/10W	T1E1	
R535, 536			RK73FB2A472J	CHIP R 4.7K J 1/10W	M1C1	
R537, 538			RK73FB2A432J	CHIP R 4.3K J 1/10W	M1C1	
R539			RK73FB2A101J	CHIP R 100 J 1/10W	M2T1E1	
R540, 541			RK73FB2A470J	CHIP R 47 J 1/10W		
R546			RK73FB2A272J	CHIP R 2.7K J 1/10W		
R550~552			RK73FB2A101J	CHIP R 100 J 1/10W		
R553			RK73FB2A100J	CHIP R 10 J 1/10W		
R554			RK73FB2A4R7J	CHIP R 4.7 J 1/10W		
R555			RK73FB2A102J	CHIP R 1.0K J 1/10W		
R556			RK73FB2A472J	CHIP R 4.7K J 1/10W		
R557~559			RK73FB2A101J	CHIP R 100 J 1/10W	M1M2C1	
R557~559			RK73FB2A101J	CHIP R 100 J 1/10W	T1E1	
R560			RK73FB2A100J	CHIP R 10 J 1/10W	M1M2C1	
R560			RK73FB2A100J	CHIP R 10 J 1/10W	T1E1	
R561			RK73FB2A4R7J	CHIP R 4.7 J 1/10W	M1M2C1	
R561			RK73FB2A4R7J	CHIP R 4.7 J 1/10W	T1E1	
R562			RK73FB2A102J	CHIP R 1.0K J 1/10W	M1M2C1	
R562			RK73FB2A102J	CHIP R 1.0K J 1/10W	T1E1	
R563			RK73FB2A222J	CHIP R 2.2K J 1/10W	M1M2C1	
R563			RK73FB2A222J	CHIP R 2.2K J 1/10W	T1E1	
R563			RK73FB2A222J	CHIP R 2.2K J 1/10W	M1M2C1	
R564			RK73FB2A223J	CHIP R 22K J 1/10W	T1E1	
R565~567			RK73FB2A101J	CHIP R 100 J 1/10W	M1M2C1	
R565~567			RK73FB2A101J	CHIP R 100 J 1/10W	T1E1	

L : Scandinavia K : USA P : Canada R : Mexico C : China I : Malaysia
 Y : PX(Far East, Hawaii) T : Europe E : Europe G : Germany V : China(Shanghai)
 Y : AAFES(Europe) X : Australia Q : Russia H : Korea M : Other Areas Δ indicates safety critical components.

* New Parts

Parts without **Parts No.** are not supplied.
Les articles non mentionnés dans le **Parts No.** ne sont pas fournis.
Teile ohne **Parts No.** werden nicht geliefert.

14

Ref. No	Add-ress	New Parts	Parts No.	Description	Desti-nation	Re-marks
R568			RK73FB2A100J	CHIP R 10 J 1/10W	M1M2C1	
R568			RK73FB2A100J	CHIP R 10 J 1/10W	T1E1	
R569			RK73FB2A4R7J	CHIP R 4.7 J 1/10W	M1M2C1	
R569			RK73FB2A4R7J	CHIP R 4.7 J 1/10W	T1E1	
R570			RK73FB2A102J	CHIP R 1.0K J 1/10W	M1M2C1	
R570			RK73FB2A102J	CHIP R 1.0K J 1/10W	T1E1	
R571			RK73FB2A222J	CHIP R 2.2K J 1/10W	M1M2C1	
R571			RK73FB2A222J	CHIP R 2.2K J 1/10W	T1E1	
R575~578			RK73FB2A102J	CHIP R 1.0K J 1/10W	K	
R575~582			RK73FB2A102J	CHIP R 1.0K J 1/10W	M1M2C1	
R575~582			RK73FB2A102J	CHIP R 1.0K J 1/10W	T1E1	
R583			RK73FB2A103J	CHIP R 10K J 1/10W		
R584			RK73FB2A224J	CHIP R 220K J 1/10W		
R585			RK73FB2A103J	CHIP R 10K J 1/10W		
R586			RK73FB2A562J	CHIP R 5.6K J 1/10W	K	
R586~589			RK73FB2A562J	CHIP R 5.6K J 1/10W	M1M2C1	
R586~589			RK73FB2A562J	CHIP R 5.6K J 1/10W	T1E1	
R588			RK73FB2A562J	CHIP R 5.6K J 1/10W	K	
R590			RK73FB2A472J	CHIP R 4.7K J 1/10W		
R591			RK73FB2A104J	CHIP R 100K J 1/10W		
R600			RK73FB2A241J	CHIP R 240 J 1/10W	M1M2C1	
R600			RK73FB2A241J	CHIP R 240 J 1/10W	T1E1	
R601			RK73FB2A181J	CHIP R 180 J 1/10W		
R602			RK73FB2A750J	CHIP R 75 J 1/10W		
R603			RK73FB2A220J	CHIP R 22 J 1/10W		
R604			RK73FB2A4R7J	CHIP R 4.7 J 1/10W		
R605, 606			RK73FB2A331J	CHIP R 330 J 1/10W		
R607, 608			RK73FB2A102J	CHIP R 1.0K J 1/10W		
R609			RK73FB2A393J	CHIP R 39K J 1/10W	E1	
R609			RK73FB2A393J	CHIP R 39K J 1/10W	KM2T1	
R610			RK73FB2A105J	CHIP R 1.0M J 1/10W	E1	
R610			RK73FB2A105J	CHIP R 1.0M J 1/10W	KM2T1	
R611~625			RK73FB2A473J	CHIP R 47K J 1/10W	E1	
R611~625			RK73FB2A473J	CHIP R 47K J 1/10W	KM2T1	
R612~625			RK73FB2A473J	CHIP R 47K J 1/10W	M1C1	
R626			RK73FB2A241J	CHIP R 240 J 1/10W	M1M2C1	
R626			RK73FB2A241J	CHIP R 240 J 1/10W	T1E1	
R627, 628			RK73FB2A102J	CHIP R 1.0K J 1/10W	M1M2C1	
R627, 628			RK73FB2A102J	CHIP R 1.0K J 1/10W	T1E1	
R629			RK73FB2A4R7J	CHIP R 4.7 J 1/10W	M1M2C1	
R629			RK73FB2A4R7J	CHIP R 4.7 J 1/10W	T1E1	
R630, 631			RK73FB2A241J	CHIP R 240 J 1/10W	M1M2C1	
R630, 631			RK73FB2A241J	CHIP R 240 J 1/10W	T1E1	
R632, 633			RK73FB2A102J	CHIP R 1.0K J 1/10W	M1M2C1	
R632, 633			RK73FB2A102J	CHIP R 1.0K J 1/10W	T1E1	
R634			RK73FB2A105J	CHIP R 1.0M J 1/10W		
R636~639			RK73FB2A101J	CHIP R 100 J 1/10W	M1M2C1	
R636~639			RK73FB2A101J	CHIP R 100 J 1/10W	T1E1	
R640			RK73FB2A4R7J	CHIP R 4.7 J 1/10W	M1M2C1	
R640			RK73FB2A4R7J	CHIP R 4.7 J 1/10W	T1E1	
R641			RK73FB2A103J	CHIP R 10K J 1/10W	M1M2C1	
R641			RK73FB2A103J	CHIP R 10K J 1/10W	T1E1	
R642			RK73FB2A562J	CHIP R 5.6K J 1/10W	M2T1E1	
R643			RK73FB2A103J	CHIP R 10K J 1/10W	M1M2C1	
R643			RK73FB2A103J	CHIP R 10K J 1/10W	T1E1	

L : Scandinavia K : USA P : Canada R : Mexico C : China I : Malaysia
 Y : PX(Far East, Hawaii) T : Europe E : Europe G : Germany V : China(Shanghai)
 Y : AAFES(Europe) X : Australia Q : Russia H : Korea M : Other Areas Δ indicates safety critical components.

PARTS LIST

DV-K751/S701

* New Parts

Parts without **Parts No.** are not supplied.Les articles non mentionnés dans le **Parts No.** ne sont pas fournis.Teile ohne **Parts No.** werden nicht geliefert.

15

Ref. No	Address	New Parts	Parts No.	Description	Destination	Remarks
R648			RK73FB2A221J	CHIP R 220 J 1/10W		
W1			R92-0670-05	CHIP R 0 OHM	M1C1	
W4			R92-0670-05	CHIP R 0 OHM	K	
W5			R92-0670-05	CHIP R 0 OHM	M2T1E1	
W5~8			R92-0670-05	CHIP R 0 OHM	M1C1	
W7, 8			R92-0670-05	CHIP R 0 OHM	M2T1E1	
W15~17			R92-0670-05	CHIP R 0 OHM	K	
W19~22			R92-0670-05	CHIP R 0 OHM	K	
W19, 20			R92-0670-05	CHIP R 0 OHM	M1M2C1	
W19, 20			R92-0670-05	CHIP R 0 OHM	T1E1	
W23~27			R92-0670-05	CHIP R 0 OHM	M1M2C1	
W23~27			R92-0670-05	CHIP R 0 OHM	T1E1	
W25~27			R92-0670-05	CHIP R 0 OHM	K	
W30, 31			R92-0670-05	CHIP R 0 OHM	M1M2C1	
W30, 31			R92-0670-05	CHIP R 0 OHM	T1E1	
W31			R92-0670-05	CHIP R 0 OHM	K	
W32			R92-1835-05	JUMPER WIRE (RESISTOR TYPE)		
W33			R92-0670-05	CHIP R 0 OHM		
D1			UDZ6.2B	ZENER DIODE		
D2			UDZ5.6B	ZENER DIODE		
D3			UDZ6.2B	ZENER DIODE		
D4			UDZ5.6B	ZENER DIODE		
D7			UDZ3.3B	ZENER DIODE		
D9			DAN202U	DIODE		
D10, 11			DA204U	DIODE		
D100~102			MA111	DIODE	M1C1	
D100~103			MA111	DIODE	E1	
D100~103			MA111	DIODE	KM2T1	
D200			MA111	DIODE		
D201, 202			UDZ6.2B	ZENER DIODE		
D203			DAN202U	DIODE		
D204			DAP202U	DIODE		
D205			DAN202U	DIODE		
D206			DAP202U	DIODE		
D207~212			U1BC44	DIODE		
D401			DAN202U	DIODE	M1M2C1	
D401			DAN202U	DIODE	T1E1	
D402, 403			MA111	DIODE	M1C1	
D404			DAN202U	DIODE		
D405, 406			DAP202U	DIODE	M1M2C1	
D405, 406			DAP202U	DIODE	T1E1	
D406			DAP202U	DIODE	K	
D407			MA111	DIODE	M1M2C1	
D424			UDZ5.6B	ZENER DIODE	T1E1	
D480			MA111	DIODE	M1C1	
D600			DA204U	DIODE	M2T1E1	
D601			DAN202U	DIODE	M1M2C1	
D601			DAN202U	DIODE	T1E1	
IC1			TL431CLP	MOS-IC		
IC2			M51494L	ANALOGUE IC		
IC3			PCM1716E	MOS-IC	K	
IC3~5			PCM1716E	MOS-IC	M1M2C1	
IC3~5			PCM1716E	MOS-IC	T1E1	

L : Scandinavia K : USA P : Canada R : Mexico C : China I : Malaysia
 Y : PX(Far East, Hawaii) T : Europe E : Europe G : Germany V : China(Shanghai)
 Y : AAFES(Europe) X : Australia Q : Russia H : Korea M : Other Areas Δ indicates safety critical components.

* New Parts

Parts without **Parts No.** are not supplied.Les articles non mentionnés dans le **Parts No.** ne sont pas fournis.Teile ohne **Parts No.** werden nicht geliefert.

16

Ref. No	Address	New Parts	Parts No.	Description	Destination	Remarks
IC6, 7			TC9412AF	MOS-IC	M1M2C1	
IC6, 7			TC9412AF	MOS-IC	T1E1	
IC8, 9			TC9214AF	MOS-IC	M1M2C1	
IC8, 9			TC9214AF	MOS-IC	T1E1	
IC10			BA17805T	ANALOGUE IC		
Δ IC10			UPC7805AHF	ANALOGUE IC		
Δ IC11~20			NJM4580ED	ANALOGUE IC	M1M2C1	
IC11~20			NJM4580ED	ANALOGUE IC	T1E1	
IC17~20			NJM4580ED	ANALOGUE IC	K	
IC21			NJM4565M	IC(OP AMP X2)	M1C1	
IC22			S-80740AL-A4	IC(VOLTAGE DETECTOR)		
IC23			NJU3715G	MOS-IC	M2T1E1	
IC25			HD6433396A65F	MI-COM IC		
IC26			LC89170M	MOS-IC	E1	
IC26			LC89170M	MOS-IC	KM2T1	
IC27			TC7SHU04FU	MOS-IC	E1	
IC27			TC7SHU04FU	MOS-IC	KM2T1	
IC28			TC74HC14AF	IC(SCHMIDT INVERTER)	E1	
IC28			TC74HC14AF	IC(SCHMIDT INVERTER)	KM2T1	
IC29			N345256SOA-55	MEMORY IC	E1	
IC29			N345256SOA-55	MEMORY IC	KM2T1	
IC30			TC7SHU04FU	MOS-IC		
IC31			TC9214AF	MOS-IC	M1C1	
IC32			TC7SHU04FU	MOS-IC		
IC33			TC74VHC08FT	MOS-IC		
IC34			PST9128NR	ANALOGUE IC		
IC35			ICP-N20	ANALOGUE IC		
Δ Q1			2SD2012	TRANSISTOR		
Δ Q2			2SC1845(F,E)	TRANSISTOR		
Q3, 4			2SC4081(R,S)	TRANSISTOR		
Q5			2SA1576A(R,S)	TRANSISTOR		
Δ Q6			2SD2012	TRANSISTOR		
Q7			2SC1845(F,E)	TRANSISTOR		
Q8, 9			2SC4081(R,S)	TRANSISTOR		
Q10			2SA1576A(R,S)	TRANSISTOR		
Δ Q11			2SD2012	TRANSISTOR		
Q12			2SC1845(F,E)	TRANSISTOR		
Q13, 14			2SC4081(R,S)	TRANSISTOR		
Q15			2SA1576A(R,S)	TRANSISTOR		
Δ Q16		*	2SC4596(E,F)	TRANSISTOR		
Q17			2SC2458(Y,GR)	TRANSISTOR		
Q17			2SC3311A(Q,R)	TRANSISTOR		
Q18, 19			2SC4081(R,S)	TRANSISTOR		
Q20			2SK246(Y,GR)	FET		
Δ Q21			2SB1375	TRANSISTOR		
Q22			2SC1845(F,E)	TRANSISTOR		
Q23			2SK246(Y,GR)	FET		
Δ Q24			2SD2012	TRANSISTOR		
Q25			2SA992(F,E)	TRANSISTOR		
Q26			2SK246(Y,GR)	FET		
Q27			DTC124EUA	DIGITAL TRANSISTOR		
Q28, 29			DTA114TUA	DIGITAL TRANSISTOR		
Q30			2SA1576A(R,S)	TRANSISTOR		
Q31			DTC124EUA	DIGITAL TRANSISTOR		
Q200, 201			2SC2714(O,Y)	FET		

L : Scandinavia K : USA P : Canada R : Mexico C : China I : Malaysia
 Y : PX(Far East, Hawaii) T : Europe E : Europe G : Germany V : China(Shanghai)
 Y : AAFES(Europe) X : Australia Q : Russia H : Korea M : Other Areas Δ indicates safety critical components.

* New Parts

Parts without **Parts No.** are not supplied.

Les articles non mentionnés dans le **Parts No.** ne sont pas fournis.

Teile ohne **Parts No.** werden nicht geliefert.

17

Ref. No	Add-ress	New Parts	Parts No.	Description	Desti-nation	Re-marks
Q202, 203 Q204, 205 Q206 Q207, 208 Q209			2SC4081(R,S) 2SC2714(O,Y) 2SA1576A(R,S)	TRANSISTOR FET TRANSISTOR		
Q210 Q211 Q212, 213 Q229-231 Q232			2SC4081(R,S) 2SA1576A(R,S) 2SC4081(R,S) DTC124EUA 2SD2012	TRANSISTOR TRANSISTOR TRANSISTOR DIGITAL TRANSISTOR TRANSISTOR		
Q233 Q234, 235 Q236, 237 Q402-405 Q402-417			2SB1375 DTC124EUA 2SA1576A(R,S) 2SC4213(B) 2SC4213(B)	TRANSISTOR DIGITAL TRANSISTOR TRANSISTOR TRANSISTOR TRANSISTOR	K M1M2C1	
Q402-417 Q418-421 Q418-421 Q424-429 Q424-429			2SC4213(B) 2SC4081(R,S) 2SC4081(R,S) 2SC4213(B) 2SC4213(B)	TRANSISTOR TRANSISTOR TRANSISTOR TRANSISTOR TRANSISTOR	T1E1 M1M2C1 T1E1 M1M2C1 T1E1	
Q424, 425 Q434 Q435 Q436-438 Q436-438			2SC4213(B) DTC124EUA 2SA1576A(R,S) DTC124EUA DTC124EUA	TRANSISTOR DIGITAL TRANSISTOR TRANSISTOR DIGITAL TRANSISTOR DIGITAL TRANSISTOR	K M1M2C1 T1E1	
Q437 Q439 Q439, 440 Q439, 440 Q441			DTC124EUA DTA124EUA DTA124EUA DTA124EUA DTC124EUA	DIGITAL TRANSISTOR DIGITAL TRANSISTOR DIGITAL TRANSISTOR DIGITAL TRANSISTOR DIGITAL TRANSISTOR	K K M1M2C1 T1E1 M1M2C1	
Q441 Q500 Q502 Q502 Q600			DTC124EUA DTC124EUA DTC124EUA DTC124EUA 2SA1611(M5,M6)	DIGITAL TRANSISTOR DIGITAL TRANSISTOR DIGITAL TRANSISTOR DIGITAL TRANSISTOR TRANSISTOR	T1E1 M1M2C1 T1E1	
Q601			2SC4177(L5,L6)	TRANSISTOR		
A1			W02-1114-05	OSCILLATING MODULE		
⚠ POWER SUPPLY (W02-2658-05)						
C201 C211 C213, 214 C221 C223, 224			CE04KW1H010M C90-3817-08 CE04KW1V331M C90-3817-08 CE04KW1V331M	ELECTRO ELECTRO ELECTRO ELECTRO ELECTRO	1.0UF 180UF 330UF 180UF 330UF	50WV 35WV 35WV 35WV 35WV
C311 C312 C351 C353 C411			C90-3819-08 CE04KW1V331M CE04KW1V101M C91-1586-08 C90-3819-08	ELECTRO ELECTRO ELECTRO FILE ELECTRO	330UF 330UF 100UF 0.01UF 330UF	35WV 35WV 35WV J 35WV
C412 C511 C512 C611, 612 C711			C90-3818-08 C90-3820-08 CE04KW1V331M C91-1586-08 CE04KW1H470M	ELECTRO ELECTRO ELECTRO FILE ELECTRO	100UF 560UF 330UF 0.01UF 47UF	35WV 35WV 35WV J 50WV

L: Scandinavia K: USA P: Canada R: Mexico C: China I: Malaysia

Y: PX(Far East, Hawaii) T: Europe E: Europe G: Germany V: China(Shanghai)

Y: AAFES(Europe) X: Australia Q: Russia H: Korea M: Other Areas ⚠ indicates safety critical components.

* New Parts

Parts without **Parts No.** are not supplied.

Les articles non mentionnés dans le **Parts No.** ne sont pas fournis.

Teile ohne **Parts No.** werden nicht geliefert.

18

Ref. No	Add-ress	New Parts	Parts No.	Description	Desti-nation	Re-marks
C811 C812			CE04KW1V331M C90-3818-08	ELECTRO ELECTRO	330UF 100UF	35WV 35WV
CN201 CN202			E40-3256-05 E40-3246-05	PIN ASSY PIN ASSY		
F101			F05-0144-08	FUSE		
L311 L411 L511 L811 T351			L33-0582-08 L33-0582-08 L33-0583-08 L33-0582-08 L19-0090-08	CHOKE COIL CHOKE COIL CHOKE COIL CHOKE COIL CONVERTER TRANSFORMER		
P211 P221 R201 R202 R204			R92-1888-08 R92-1888-08 R92-1889-08 R92-1890-08 R92-1891-08	METAL PLATE METAL PLATE RD RD RN	100 1K 3.3K	J 1/4W J 1/4W F 1/6W
R205 R206 R211 R212, 222 R221			R92-1892-08 R92-1893-08 R92-1894-08 R92-1895-08 R92-1894-08	RN RN RD RD RD	82 1.5K 560 4.7K 560	F 1/6W F 1/6W J 1/4W J 1/4W J 1/4W
R351 R352 R353 R355 R356, 357			R92-1896-08 R92-1897-08 R92-1898-08 R92-1889-08 R92-1890-08	RD RD RD RD RD	2.7 10K 1.2K 100 1K	J 1/4W J 1/4W J 1/4W J 1/4W J 1/4W
R611 R711			R92-1899-08 R92-1897-08	RD RD	15 10K	J 1/4W J 1/4W
SW101			S68-0122-08	PUSH SWITCH	POWER	
D211 D221 D231 D232 D311			11EQS10 11EQS10 MTZJ5.6C MTZJ30C S2L20U	DIODE DIODE ZENER DIODE ZENER DIODE DIODE		
D321 D353 D411 D511 D611			MTZJ15B MTZJ39B 21DQ06 D3S4M 1SS270A	ZENER DIODE ZENER DIODE DIODE DIODE DIODE		
D711 D712 D811 Q211 Q212			10ELS2 MTZJ12A 21DQ06 2SB1566 2SC1740S	DIODE ZENER DIODE DIODE TRANSISTOR TRANSISTOR		
Q221 Q222 Q351 Q352 Q353			2SD2395 2SA933S 2SD2395 DTC114ES 2SA933S	TRANSISTOR TRANSISTOR TRANSISTOR TRANSISTOR TRANSISTOR		
MECHANISM (D40-1580-05)						
41 42 43	1A 1B 1B		J99-0806-08 J19-5924-08 A11-1142-08	TRAY CLAMPER HOLDER CLAMPER PLATE		

L: Scandinavia K: USA P: Canada R: Mexico C: China I: Malaysia

Y: PX(Far East, Hawaii) T: Europe E: Europe G: Germany V: China(Shanghai)

Y: AAFES(Europe) X: Australia Q: Russia H: Korea M: Other Areas ⚠ indicates safety critical components.

PARTS LIST

DV-K751/S701

* New Parts

Parts without **Parts No.** are not supplied.Les articles non mentionnés dans le **Parts No.** ne sont pas fournis.Teile ohne **Parts No.** werden nicht geliefert.

19

Ref. No	Add-ress	New Parts	Parts No.	Description	Desti-nation	Re-marks
44	1B		T50-1080-08	CLAMPER REAR YOKE		
45	1B		T99-0610-08	MAGNET		
46	2B		J11-0834-08	CLAMPER		
47	2B		G02-1655-08	SPRING		
48	2A		D16-0722-08	BELT		
49	2A		D13-1876-08	PULLEY GEAR		
50	2B		D13-1877-08	TRAY GEAR		
51	2A		D13-1878-08	TURNING GEAR		
52	2B		D12-0159-08	ROTARY CAM		
53	2A, 2B		D32-0355-08	CHASSIS STOPPER		
54	2A, 2B		G02-1656-08	CHASSIS HOLDER		
55	2B		D10-3805-08	SLIDER		
56	3A		D10-3806-08	SWITCH LEVER		
57	3A		T42-0915-08	LOADING MOTOR UNIT		
58	3B		A10-3430-08	LOADING BASE		
59	3B		J70-1226-08	LOADING MOTOR PCB		
60	1B		N19-1457-08	CLAMPER WEIGHT		
61	2B		D40-1595-08	TRAVERSE UNIT		
71	1C		E35-2160-08	PIN CABLE, 11P		
72	1C		J70-1227-08	REPEATER PCB		
73	1D		A10-3431-08	D-CHASSIS UNIT		
74	2C		J19-5925-08	CLAMPER		
75	2C, 2D		J02-1413-08	DAMPER		
76	2C		J19-5926-08	DAMPER HOLDER		
77	2C		T42-0916-08	TRAVERSE MOTOR UNIT, FEED		
78	2C		J21-6618-08	MAIN SHAFT HOLDER		
79	3C		T42-0917-08	DISC MOTOR UNIT		
80	3C		J26-0082-08	CHIP SWITCH UNIT		
81	2D		J21-6619-08	SUB SHAFT HOLDER		
82	2D, 3D		D10-3807-08	GUIDE SHAFT		
83	2D		J21-6620-08	NUT STOPPER		
84	2D		G02-1657-08	NUT STOP SPRING		
85	2D		D13-1879-08	SCREW NUT		
86	2D		G02-1658-08	PICKUP STOP SPRING		
87	3D		T25-0077-08	PICKUP		
89	3D		A11-1143-08	H-CHASSIS		
B41	1B		N80-2608-46	SCREW		
B42	1B		N09-3455-08	SCREW		
B43	3A		N09-3456-08	SCREW		
B44	3B		N80-2608-46	SCREW		
B45	1B		N88-2606-46	SCREW		
B71	1C		N86-2605-08	SCREW		
B72	1C		N09-3457-08	SCREW		
B73	2C		N09-3458-08	SCREW		
B74	2C		N09-3459-08	SCREW		
B75	2C		N95-2610-45	SCREW		
B76	2C		N09-3460-08	SCREW		
B77	2D		N09-3461-08	SCREW		
B78	2D		N30-2003-46	SCREW		
B79	2D		N39-1745-46	SCREW		
B80	2D		N09-3462-08	SCREW		
W41	2A		N19-0891-04	CUT WASHER		
FP20001			E40-8270-08	FLAT CABLE CONNECTOR, 26P		
FP20002			E40-8271-08	FLAT CABLE CONNECTOR, 35P		
FP20003			E40-8272-08	FLAT CABLE CONNECTOR, 11P		

L : Scandinavia

K : USA

P : Canada

R : Mexico

C : China

I : Malaysia

Y : PX(Far East, Hawaii)

T : Europe

E : Europe

G : Germany

V : China(Shanghai)

Y : AAFES(Europe)

X : Australia

Q : Russia

H : Korea

M : Other Areas

▲ indicates safety critical components.

* New Parts

Parts without **Parts No.** are not supplied.Les articles non mentionnés dans le **Parts No.** ne sont pas fournis.Teile ohne **Parts No.** werden nicht geliefert.

20

Ref. No	Add-ress	New Parts	Parts No.	Description	Desti-nation	Re-marks
FP20004, 5			E40-8269-08	PIN ASSY, 2P		
C0002			CK73FF1C105Z	CHIP C 1.0UF Z		

L : Scandinavia

K : USA

P : Canada

R : Mexico

C : China

I : Malaysia

Y : PX(Far East, Hawaii)

T : Europe

E : Europe

G : Germany

V : China(Shanghai)

Y : AAFES(Europe)

X : Australia

Q : Russia

H : Korea

M : Other Areas

▲ indicates safety critical components.

HOW TO READ THE PARTS LIST

ABBREVIATION OF MODEL AND MASS PRODUCTION'S DESTINATIONS

MODEL	ABB.	Australia	Canada	China	England	Europe	Germany	Korea	Malaysia
DV-S701	-	-	-	-	T1	E1	-	-	-
DV-K751	-	-	-	C1	-	-	-	-	-
MODEL	ABB.	Mexico	PX/AAFES	Russia	Scandinavia	Shanghai	USA	Other area	Other area(M2)
DV-S701	-	-	-	-	-	-	K	-	M2
DV-K751	-	-	-	-	-	-	-	M1	-

SPECIFICATIONS

DV-K751(En/M)

[Type]

System DVD video player system
Signal read system Semiconductor laser

[D/A Conversion Section]

D/A conversion 24 Bit
Oversampling 8 fs (Sampling frequency; 44.1, 48 kHz)
4 fs (Sampling frequency; 96 kHz)

[Audio section]

Frequency response
Sampling frequency; 44.1 kHz (CD only) 4 Hz ~ 20 kHz
Sampling frequency; 48 kHz 4 Hz ~ 22 kHz
Sampling frequency; 96 kHz 4 Hz ~ 44 kHz
Signal to noise ratio (CD only) More than 105 dB
Dynamic range (CD only) More than 97 dB
Total harmonic distortion (CD only)
..... Less than 0.003 % (1 kHz)
Channel separation (CD only)
..... More than 90 dB (1 kHz, MIX LINE OUTPUT)
Wow and flutter (CD only)
..... Below measurable limit (± 0.001 % W. PEAK)
Analog output level/impedance
2ch 1.2 V_{rms} / 330 Ω (mic on: 1.2 V_{rms} / 330 Ω)
5.1ch 1.2 V_{rms} / 330 Ω (compression off: max 3.4 V_{rms})
Digital output level/impedance
COAXIAL 0.5 Vp-p / 75 Ω
OPTICAL -21 dBm ~ -15 dBm (Wave length 660 nm)
Microphone Input sensitivity/impedance
..... 6 mV / 24 k Ω (MIC 1, 2)

[Video Section]

Video output format NTSC/PAL
Video compression
VCD MPEG-1
DVD MPEG-2
Composite video output level
..... 1 Vp-p (75 Ω load, sync. negative)
S-video output level
(Y-signal) 1 Vp-p (75 Ω load, sync. negative)
(C-signal)
NTSC 0.286 Vp-p (75 Ω)
PAL 0.300 Vp-p (75 Ω)
Horizontal resolution More than 500 lines
Video signal to noise ratio More than 62 dB

[General]

Power consumption 35 W
Dimensions W: 400 mm (15-3/4")
H: 106 mm (4-3/16")
D: 377 mm (14-13/16")
Weight (net) 4.5 kg (9.9 lb)

DV-S701(En/K)

[Type]

System DVD video player system
Signal read system Semiconductor laser

[D/A Conversion Section]

D/A conversion 24 Bit
Oversampling 8 fs (Sampling frequency; 44.1, 48 kHz)
4 fs (Sampling frequency; 96 kHz)

[Audio section]

Frequency response
Sampling frequency; 44.1 kHz (CD only) 4 Hz ~ 20 kHz
Sampling frequency; 48 kHz 4 Hz ~ 22 kHz
Sampling frequency; 96 kHz 4 Hz ~ 44 kHz
Signal to noise ratio (CD only) More than 105 dB
Dynamic range (CD only) More than 97 dB
Total harmonic distortion (CD only)
..... Less than 0.003 % (1 kHz)
Channel separation (CD only)
..... More than 90 dB (1 kHz, MIX LINE OUTPUT)
Wow and flutter (CD only)
..... Below measurable limit (± 0.001 % W. PEAK)
Analog output level/impedance
2ch 1.2 V_{rms} / 330 Ω
Digital output level/impedance
COAXIAL 0.5 Vp-p / 75 Ω
OPTICAL -21 dBm ~ -15 dBm (Wave length 660 nm)

[Video Section]

Video output format NTSC
Video compression
VCD MPEG-1
DVD MPEG-2
Composite video output level
..... 1 Vp-p (75 Ω load, sync. negative)
S-video output level
(Y-signal) 1 Vp-p (75 Ω load, sync. negative)
(C-signal)
NTSC 0.286 Vp-p (75 Ω)
Horizontal resolution More than 500 lines
Video signal to noise ratio More than 62 dB

[General]

Power consumption 35 W
Dimensions W: 400 mm (15-3/4")
H: 106 mm (4-3/16")
D: 377 mm (14-13/16")
Weight (net) 4.5 kg (9.9 lb)

DV-K751/S701

SPECIFICATIONS

DV-S701(En/E)

[Type]

System..... DVD video player system
Signal read system Semiconductor laser

[D/A Conversion Section]

D/A conversion..... 24 Bit
Oversampling 8 fs (Sampling frequency; 44.1, 48 kHz)
4 fs (Sampling frequency; 96 kHz)

[Audio section]

Frequency response
Sampling frequency; 44.1 kHz (CD only) 4 Hz ~ 20 kHz
Sampling frequency; 48 kHz 4 Hz ~ 22 kHz
Sampling frequency; 96 kHz 4 Hz ~ 44 kHz
Signal to noise ratio (CD only) More than 105 dB
Dynamic range (CD only) More than 97 dB
Total harmonic distortion (CD only)
..... Less than 0.003 % (1 kHz)
Channel separation (CD only)
..... More than 90 dB (1 kHz, MIX LINE OUTPUT)
Wow and flutter (CD only)
..... Below measurable limit (± 0.001 % W. PEAK)
Analog output level/impedance
2ch 1.2 V_{rms} / 330 Ω
5.1ch 1.2 V_{rms} / 330 Ω (compression off:max 3.4 V_{rms})
Digital output level/impedance
COAXIAL 0.5 Vp-p / 75 Ω
OPTICAL -21 dBm ~ -15 dBm (Wave length 660 nm)

[Video Section]

Video output format PAL
Video compression
VCD MPEG-1
DVD MPEG-2
Composite video output level
..... 1 Vp-p (75 Ω load, sync. negative)
S-video output level
(Y-signal) 1 Vp-p (75 Ω load, sync. negative)
(C-signal)
PAL 0.300 Vp-p (75 Ω)
Horizontal resolution More than 500 lines
Video signal to noise ratio More than 62 dB

[General]

Power consumption..... 35 W
Dimensions W: 400 mm (15-3/4")
H: 106 mm (4-3/16")
D: 377 mm (14-13/16")
Weight (net) 4.5 kg (9.9 lb)



KENWOOD follows a policy of continuous advancements in development. For this reason specifications may be changed without notice.

- Sufficient performance may not be exhibited at extremely cold locations (Where water freezes).

Note:

Component and circuit are subject to modification to insure best operation under differing local conditions. This manual is based on Europe (E) standard, and provides information on regional circuit modification through use of alternate schematic diagrams, and information on regional component variations through use of parts list.

KENWOOD CORPORATION

14-6,Dogenzaka 1-chome, Shibuya-ku, Tokyo, 150-8501 Japan

KENWOOD SERVICE CORPORATION

P.O BOX 22745, 2201 East Dominguez St., Long Beach, CA 90801-5745, U.S.A.

KENWOOD ELECTRONICS CANADA INC.

6070 Kestrel Road, Mississauga, Ontario, Canada L5T 1S8

KENWOOD ELECTRONICS LATIN AMERICA S.A.

P.O BOX 55-2791, Piso 6 plaza Chase, Cl. 47 y Aquilino de la Guardia Panama, Republic de Panama

KENWOOD ELECTRONICS BRASIL LTDA.

Av Indianópolis, 628, 04062-001 Planalto Paullista São Paulo-SP-Brasil

KENWOOD ELECTRONICS U.K. LIMITED

KENWOOD House, Dwight Road, Watford, Herts., WD1 8EB., United Kingdom

KENWOOD ELECTRONICS BELGUM N.V.

Meachelsesteenweg 418, B-1930 Zaventem, Belgium

KENWOOD ELECTRONICS DEUTSCHLAND GMBH

Rembrücker Str. 15, 63150 Heusenstamm, Germany

KENWOOD ELECTRONICS FRANCE S.A.

13 Boulevard Ney, 75018 Paris, France

KENWOOD ELECTRONICS ITALIA S.p.A.

Via G. Sirtori, 7/9 20129, Milano, Italy

KENWOOD IBÉRICA S.A.

Bolivia, 239-08020 Barcelona, Spain

KENWOOD ELECTRONICS AUSTRALIA PTY. LTD.

(A.C.N. 001499 074)

P.O Box 504, 8 Figtree Drive, Australia Centre, Homebush, N.S.W. 2140, Australia

KENWOOD & LEE ELECTRONICS, LTD.

Unit 3712-3724, Level 37, Tower 1, Metroplaza, 223 Hing Fong Road, Kwai Fong N.T., Hong Kong

KENWOOD ELECTRONICS GULF FZE

P.O.Box 61318, Jebel Ali, Dubai, U.A.E.

KENWOOD ELECTRONICS SINGAPORE PTE LTD.

No. 1 Genting Lane #02-02, KENWOOD Building, Singapore, 349544

KENWOOD ELECTRONICS (MALAYSIA) SDN BHD.

#4.01 Level 4, Wisma Academy Lot 4A, Jalan 19/1 46300 Petaling Jaya Selangor Darul Ehsan Malaysia

KENWOOD ELECTRONICS (THAILAND) CO., LTD.

573/111 Soi Ramkhamhaeng 39, Ramkhamhaeng Road, Wangthonglang, Bangkok, Bangkok 10301 Thailand